

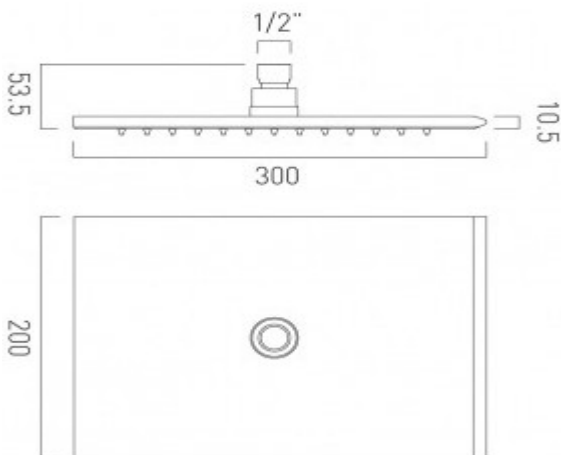


where inspiration flows
taps | showering | accessories

technical sheet
product code: OMI-HEAD-C/P



technical drawing:



description: single function easy clean shower head
200mm x 300mm
1/2" female inlet

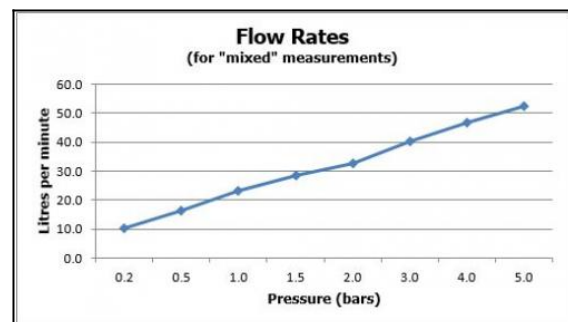
finishes: chrome

Eco ^{H₂} recommended flow regulator product code: FR-FLEXI/9-LA (Optional)

guarantee: 12 year guarantee

minimum operating pressure: 1.0 bar MP

flow rate at 3.0 bar flow pressure: 40 l/min



'mixed measurements' refers to equal hot and cold water supply flow rate for unregulated flow unless flow regulator fitted as standard