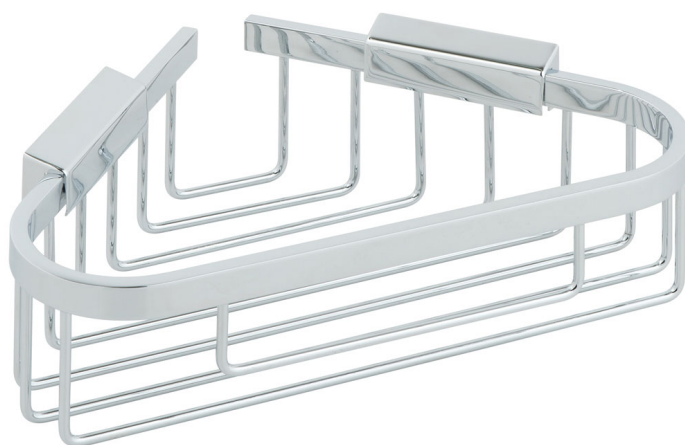


SPECIFICATION SHEET

COLLECTION: BASKETS

PRODUCT CODE: BAS-2015M-C/P



DESCRIPTION:

medium triangular corner basket
wall mounted

FINISH:

Chrome



tel: 01934 744466
email: sales@vado.com
www.vado.com

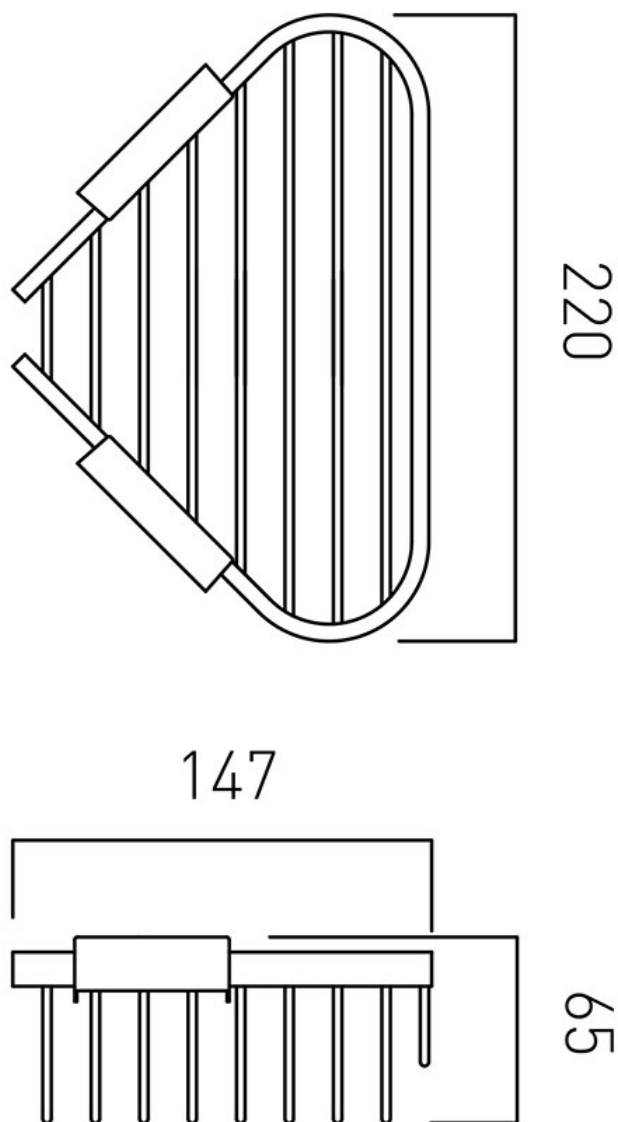
where inspiration flows
taps | showering | accessories



TECHNICAL DRAWING

COLLECTION: BASKETS

PRODUCT CODE: BAS-2015M-C/P



tel: 01934 744466
email: sales@vado.com
www.vado.com

where inspiration flows
taps | showering | accessories

