

# SPECIFICATION SHEET

COLLECTION: ZONE  
PRODUCT CODE: IND-Z143-BLK



## SHOWER TYPE

Shower Valve

## VALVE TYPE

Concealed

## ORIENTATION

Vertical

## NUMBER OF OUTLETS

1 Outlet

## WITH ALL-FLOW FUNCTION

No

## WITH INTEGRATED DIVERTER

No

## COMPATIBLE WITH STUDFAST

No

## WITH BLEED VALVE FOR SYSTEM FLUSH ON INSTALLATION

No

## WITH SHOWER KIT

No

tel: 01934 74466  
email: sales@vado.com  
www.vado.com

WHERE INSPIRATION FLOWS  
TAPS | SHOWERS | ACCESSORIES



---

# SPECIFICATION SHEET

COLLECTION: ZONE  
PRODUCT CODE: IND-Z143-BLK

## INCLUDES MORTAR / TILE GUARD

Yes

## COMPATIBLE WITH EASY-FIX BRACKETS

No

## WITH THERMOSTATIC TECHNOLOGY

No

## MIN-MAX WALL MOUNT

78-113mm

## CONNECTIONS / FITTINGS

1 x 1/2" female inlet, 1 x 1/2" female outlet

## SPARE PARTS

flow-stop-go cartridge N-10-01-26F

## MOUNTING

Wall Mounted

## PLUMBING SYSTEM SUITABILITY

Gravity System, Combination Boiler

## COLLECTION NAME

Zone

## FINISH

Brushed Black

## MINIMUM OPERATING PRESSURE

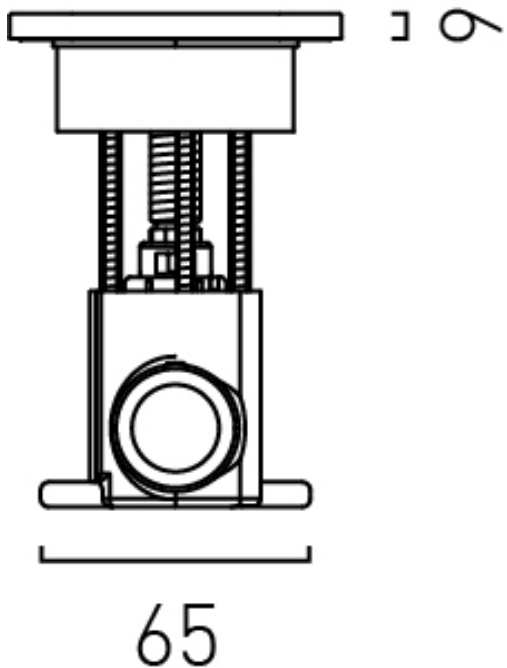
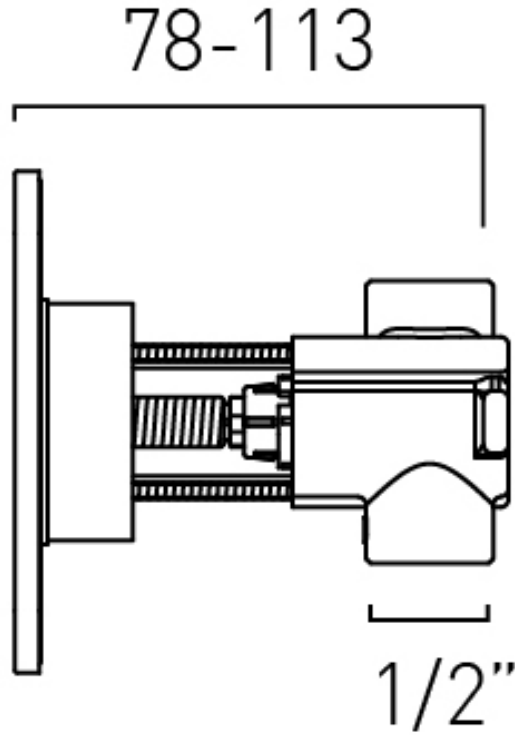
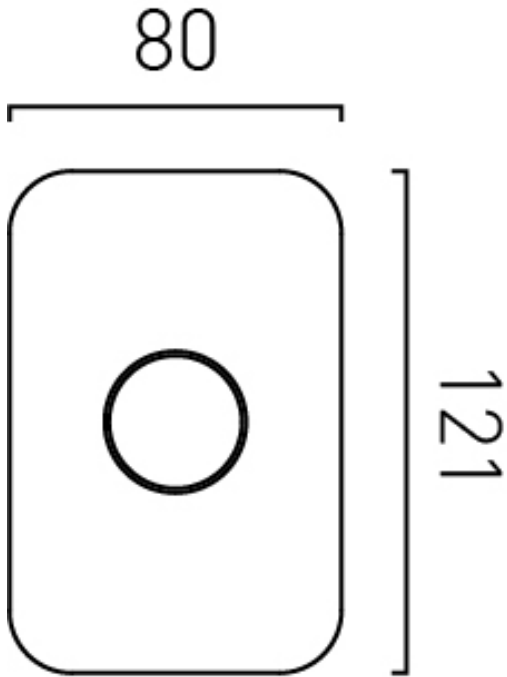
1.0 Bar MP

## GUARANTEE

15 Year Guarantee

# TECHNICAL DRAWING

COLLECTION: ZONE  
PRODUCT CODE: IND-Z143-BLK



tel: 01934 744466  
email: sales@vado.com  
www.vado.com

WHERE INSPIRATION FLOWS  
TAPS | SHOWERS | ACCESSORIES

