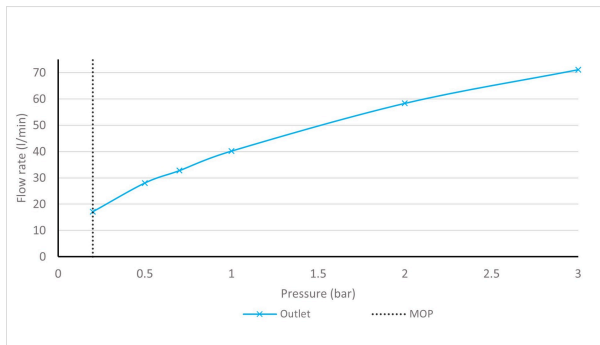


SPECIFICATION SHEET

COLLECTION: CAMEO
PRODUCT CODE: CAM-137-MB



TAP TYPE

Basin Mixer

DECK HOLE DRILL DIAMETER

28-30mm

HANDLES

2 Handle

STYLE

Square

WITH WATER FLOW STRAIGHTENER

No

HOLES

2 Hole

CONNECTIONS / FITTINGS

2 x 3/4" 48.5mm male threaded connections

MOUNTING

Deck Mounted

SPARE PARTS

cold ceramic cartridge C-306-RTC, hot ceramic cartridge C-306-LTC

tel: 01934 744466
email: sales@vado.com
www.vado.com

WHERE INSPIRATION FLOWS
TAPS | SHOWERS | ACCESSORIES



SPECIFICATION SHEET

COLLECTION: CAMEO
PRODUCT CODE: CAM-137-MB

PLUMBING SYSTEM SUITABILITY

Gravity System

COLLECTION NAME

Cameo

FINISH

Matt Black

MINIMUM OPERATING PRESSURE

0.2 Bar LP

GUARANTEE

15 Year Guarantee

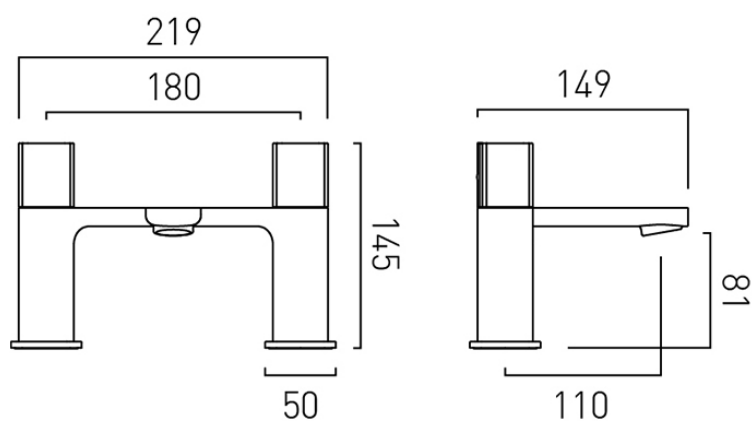
tel: 01934 744466
email: sales@vado.com
www.vado.com

WHERE INSPIRATION FLOWS
TAPS | SHOWERS | ACCESSORIES



TECHNICAL DRAWING

COLLECTION: CAMEO
PRODUCT CODE: CAM-137-MB



tel: 01934 744466
email: sales@vado.com
www.vado.com

WHERE INSPIRATION FLOWS
TAPS | SHOWERS | ACCESSORIES

