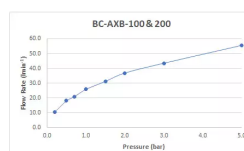


# SPECIFICATION SHEET

COLLECTION: AXBRIDGE

PRODUCT CODE: BC-AXB-100/SB-BN



## TAP TYPE

Basin Mixer

## COLLECTION NAME

Axbridge

## FINISH

Bright Nickel

## MINIMUM OPERATING PRESSURE

0.2 Bar LP

## GUARANTEE

15 Year Guarantee

## HANDLES

2 Handle

## WITH ECOTURN COLD START TECHNOLOGY

No

## WITH WATER FLOW STRAIGHTENER

Yes

## WITH SWIVEL SPOUT

1

tel: 01934 744466  
email: sales@vado.com  
www.vado.com

WHERE INSPIRATION FLOWS  
TAPS | SHOWERS | ACCESSORIES



# SPECIFICATION SHEET

COLLECTION: AXBRIDGE

PRODUCT CODE: BC-AXB-100/SB-BN

## WITH WATER FLOW AERATOR

No

## CONNECTIONS / FITTINGS

2 x 1/2" x 400mm flexipipe connections

## SPARE PARTS

cold ceramic cartridge FL-501-RTC, hot ceramic cartridge FL-501-LTC

## DECK HOLE DRILL DIAMETER

35mm

## WASTE

None (Smooth Bodied)

## STYLE

Traditional

## HOLES

1 Hole

## MOUNTING

Deck Mounted

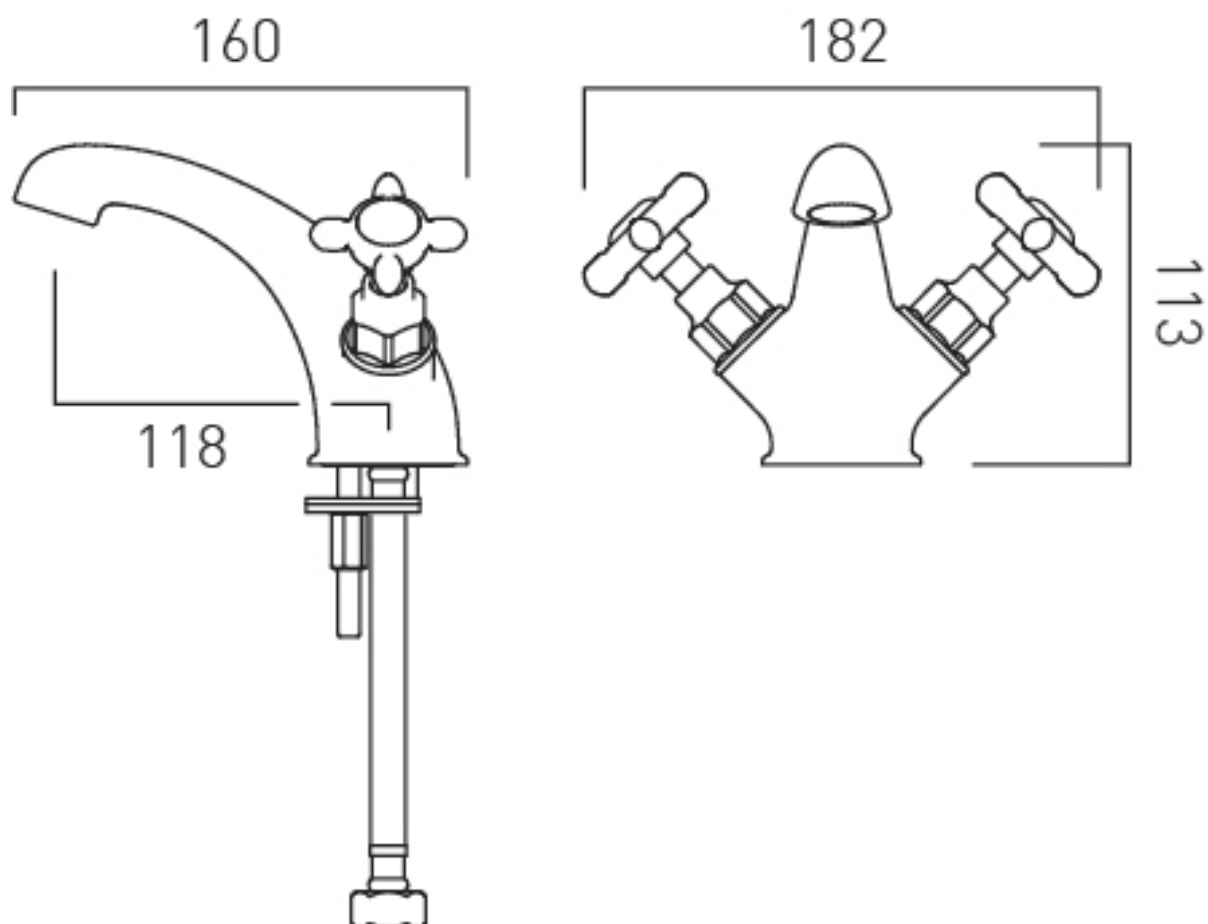
## PLUMBING SYSTEM SUITABILITY

Gravity System

# TECHNICAL DRAWING

COLLECTION: AXBRIDGE

PRODUCT CODE: BC-AXB-100/SB-BN



tel: 01934 744466  
email: sales@vado.com  
www.vado.com

WHERE INSPIRATION FLOWS  
TAPS | SHOWERS | ACCESSORIES

