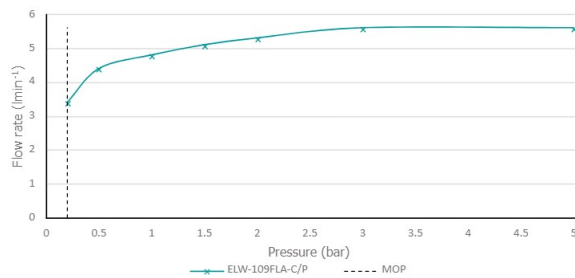
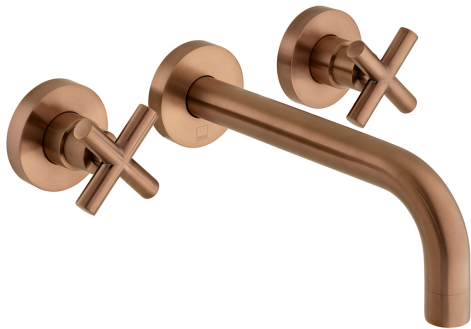


# SPECIFICATION SHEET

COLLECTION: ELEMENTS  
PRODUCT CODE: IND-ELW109FLA-BRZ



## TAP TYPE

Basin Mixer

## COLLECTION NAME

Elements

## FINISH

Brushed Bronze

## RECOMMENDED FLOW REGULATOR

5 l/m flow regulator fitted as standard

## MINIMUM OPERATING PRESSURE

0.2 Bar LP

## MAXIMUM OPERATING PRESSURE

5.0 Bar LP

## GUARANTEE

15 Year Guarantee

## HANDLES

2 Handle

## MIN-MAX WALL MOUNT

50-68mm

tel: 01934 744466  
email: [sales@vado.com](mailto:sales@vado.com)  
[www.vado.com](http://www.vado.com)

WHERE INSPIRATION FLOWS  
TAPS | SHOWERS | ACCESSORIES



# SPECIFICATION SHEET

COLLECTION: ELEMENTS

PRODUCT CODE: IND-ELW109FLA-BRZ

WITH ECOTURN COLD START TECHNOLOGY

No

WITH WATER FLOW STRAIGHTENER

No

WITH WATER FLOW AERATOR

No

SPARE PARTS

cold ceramic cartridge C-208-RTC, hot ceramic cartridge C-208-LTC

STYLE

Round, Cross Handles

HOLES

3 Hole

MOUNTING

Wall Mounted

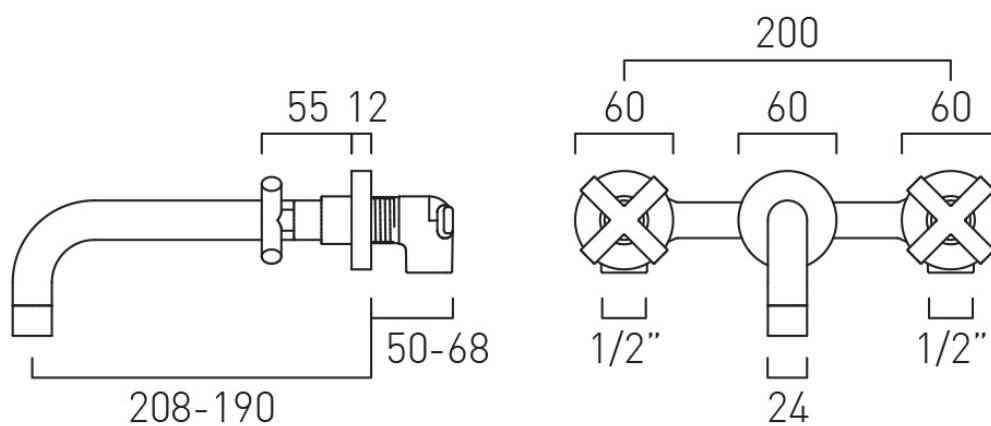
PLUMBING SYSTEM SUITABILITY

Gravity System

# TECHNICAL DRAWING

COLLECTION: ELEMENTS

PRODUCT CODE: IND-ELW109FLA-BRZ



tel: 01934 744466  
email: sales@vado.com  
www.vado.com

WHERE INSPIRATION FLOWS  
TAPS | SHOWERS | ACCESSORIES

