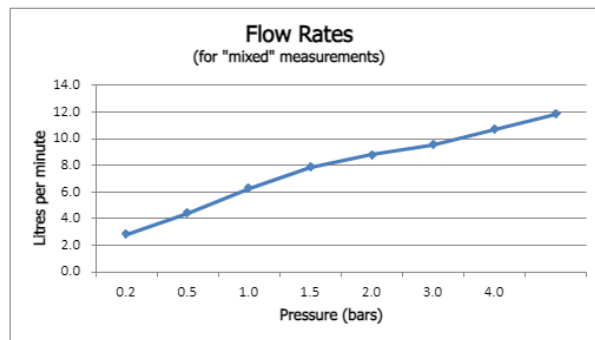


# SPECIFICATION SHEET

COLLECTION: NEBULA  
PRODUCT CODE: IND-RO/20-BRN



The flow rate displayed is calculated using ideal system conditions. This result should only be taken as an indication as the flow rate may vary depending on the specific in-situ configuration.

## PLUMBING SYSTEM SUITABILITY

Gravity System, Combination Boiler

## STYLE

Round

## CONNECTIONS / FITTINGS

1/2" female inlet

## WITH AIR-INJECTION TECHNOLOGY

No

## FUNCTIONS

Single Function

## RUB-CLEAN NOZZLES

No

## SELF-CLEANING

No

## SHOWER HEAD SIZE

200mm (8")

## COLLECTION NAME

Nebula

tel: 01934 744466  
email: sales@vado.com  
www.vado.com

WHERE INSPIRATION FLOWS  
TAPS | SHOWERS | ACCESSORIES



# SPECIFICATION SHEET

COLLECTION: NEBULA  
PRODUCT CODE: IND-RO/20-BRN

## FINISH

Brushed Nickel

## MINIMUM OPERATING PRESSURE

0.2 Bar LP

## MAXIMUM OPERATING PRESSURE

5.0 Bar HP

## GUARANTEE

15 Year Guarantee

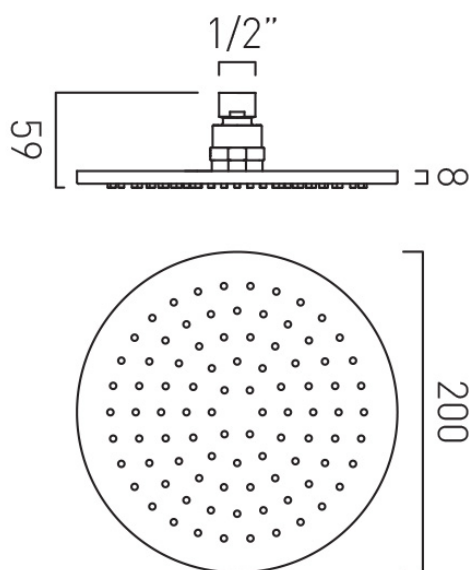
tel: 01934 744466  
email: [sales@vado.com](mailto:sales@vado.com)  
[www.vado.com](http://www.vado.com)

WHERE INSPIRATION FLOWS  
TAPS | SHOWERS | ACCESSORIES



# TECHNICAL DRAWING

COLLECTION: NEBULA  
PRODUCT CODE: IND-RO/20-BRN



tel: 01934 744466  
email: sales@vado.com  
www.vado.com

WHERE INSPIRATION FLOWS  
TAPS | SHOWERS | ACCESSORIES

