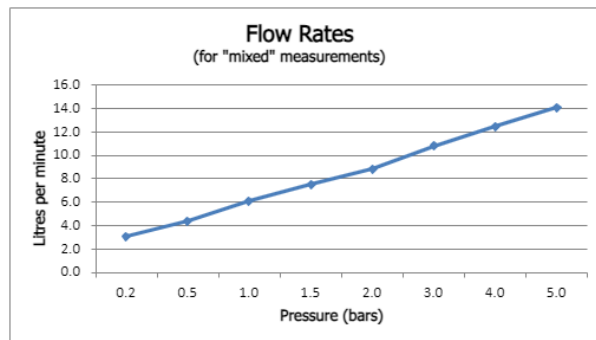


SPECIFICATION SHEET

COLLECTION: BAHR
PRODUCT CODE: CUC-1008-S/S



The flow rate displayed is calculated using ideal system conditions. This result should only be taken as an indication as the flow rate may vary depending on the specific in-situ configuration.

TAP TYPE

Kitchen Tap

PLUMBING SYSTEM SUITABILITY

Pumped System, Combination Boiler, Pressurised System

COLLECTION NAME

Bahr

DECK HOLE DRILL DIAMETER

36mm

SPARE PARTS

ceramic cartridge C-008-A35

HANDLES

Single Lever

WITH WATER FLOW AERATOR

No

WITH SWIVEL SPOUT

1

WITH WATER FLOW STRAIGHTENER

No

tel: 01934 744466
email: sales@vado.com
www.vado.com

WHERE INSPIRATION FLOWS
TAPS | SHOWERS | ACCESSORIES



SPECIFICATION SHEET

COLLECTION: BAHR
PRODUCT CODE: CUC-1008-S/S

MOUNTING

Deck Mounted

MINIMUM OPERATING PRESSURE

1.0 Bar MP

MAXIMUM OPERATING PRESSURE

5.0 Bar HP

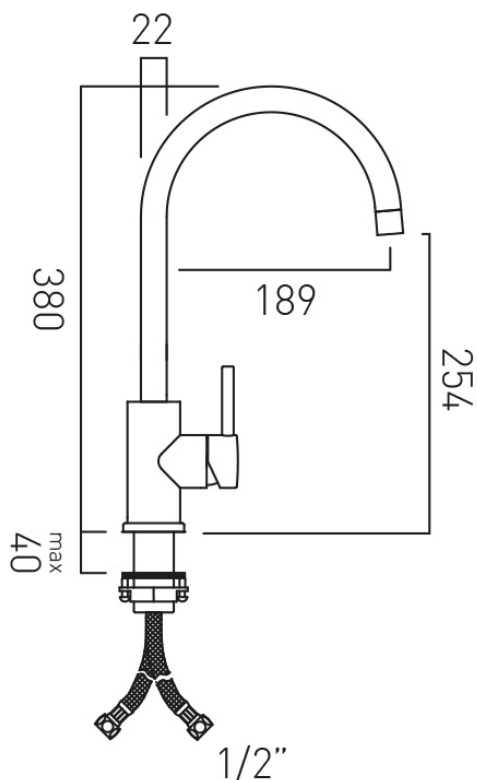
tel: 01934 744466
email: sales@vado.com
www.vado.com

WHERE INSPIRATION FLOWS
TAPS | SHOWERS | ACCESSORIES



TECHNICAL DRAWING

COLLECTION: BAHR
PRODUCT CODE: CUC-1008-S/S



tel: 01934 744466
email: sales@vado.com
www.vado.com

WHERE INSPIRATION FLOWS
TAPS | SHOWERS | ACCESSORIES

