

# SPECIFICATION SHEET

COLLECTION: WASTES & FITTINGS  
PRODUCT CODE: WG-2389-RO-CP



## TAP TYPE

Wastes and Fittings

## COLLECTION NAME

Wastes & Fittings

## FINISH

Chrome

## GUARANTEE

15 Year Guarantee

## PLUMBING SYSTEM SUITABILITY

Pressurised System

## STYLE

Round

## CONNECTIONS / FITTINGS

2 x 1/2" inlets (one is blanked off) 1.1/2" x 16mm threaded outlet connection

## INSTALLATION TOLERANCES

Min-max overflow bath thickness 1mm-14mm. minimum operating pressure 1.0 bar MP

tel: 01934 744466  
email: sales@vado.com  
www.vado.com

WHERE INSPIRATION FLOWS  
TAPS | SHOWERS | ACCESSORIES



# SPECIFICATION SHEET

COLLECTION: WASTES & FITTINGS  
PRODUCT CODE: WG-2389-RO-CP

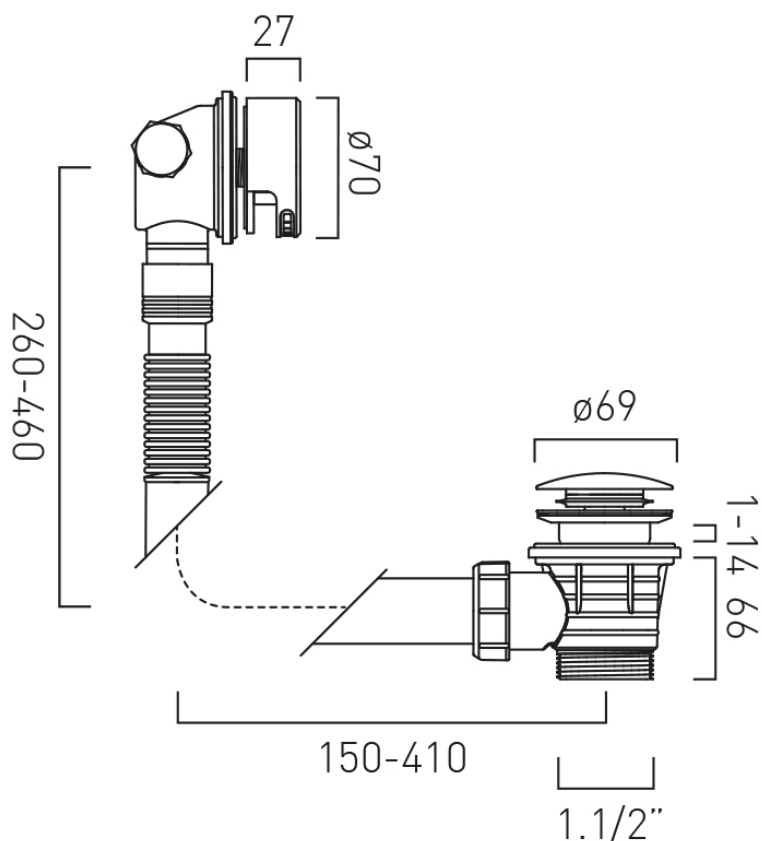
tel: 01934 744466  
email: [sales@vado.com](mailto:sales@vado.com)  
[www.vado.com](http://www.vado.com)

WHERE INSPIRATION FLOWS  
TAPS | SHOWERS | ACCESSORIES



# TECHNICAL DRAWING

COLLECTION: WASTES & FITTINGS  
PRODUCT CODE: WG-2389-RO-CP



tel: 01934 744466  
email: sales@vado.com  
www.vado.com

WHERE INSPIRATION FLOWS  
TAPS | SHOWERS | ACCESSORIES

