

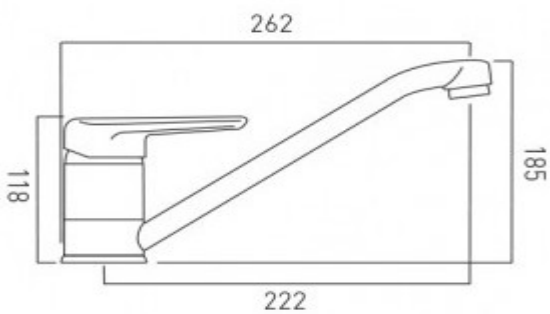


it's a personal experience
taps | showering | accessories

technical sheet
product code: CHE-150-C/P



technical drawing:



description: mono sink mixer
single lever
deck mounted
with swivel spout
with water flow straightener
with water flow aerator
ceramic cartridge CAR-K40A
2 x 1/2" (nut) x 300mm flexipipe connections
deck mount drill hole diameter 32mm

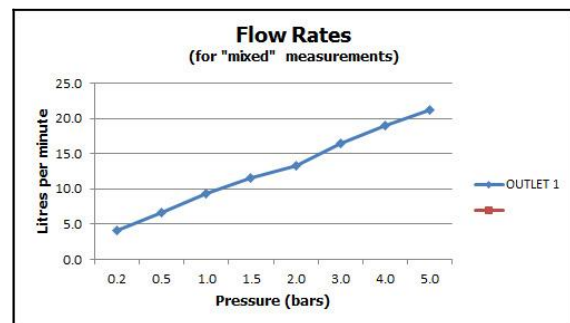
finishes: chrome

H₂O Eco recommended flow regulator product code: FR-100/5-PLA

guarantee: 12 year guarantee

minimum operating pressure: 0.2 bar LP

flow rate at 3.0 bar flow pressure: 16 l/min



'mixed measurements' refers to equal hot and cold water supply
flow rate for unregulated flow unless flow regulator fitted as standard