

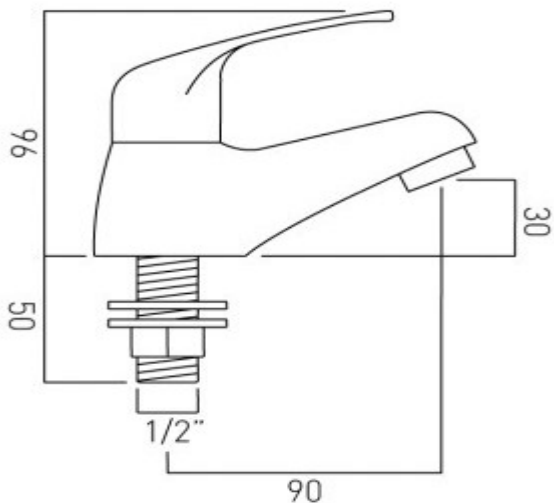


it's a personal experience  
taps | showering | accessories

technical sheet  
product code: MAT-106-C/P



technical drawing:



**description:** basin pillar taps  
deck mounted  
with water flow aerator  
ceramic cartridge MAT-VALVE/CD/CL-1/2 &  
MAT-VALVE/CD/HT-1/2  
1/2"x 50mm tail connections  
deck mount drill hole diameter 22mm

**finishes:** chrome

**Eco** recommended flow regulator product code: FR-106/4-PLA

**guarantee:** 12 year guarantee

**minimum operating pressure:** 0.2 bar LP