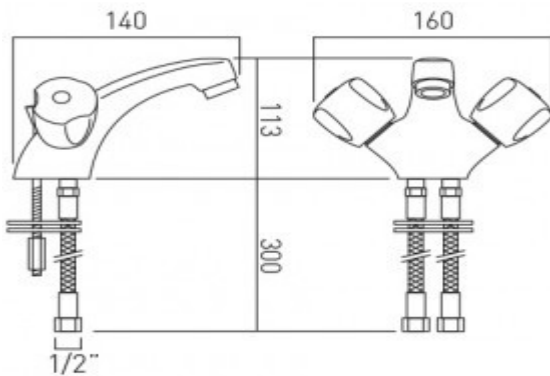




technical drawing:



description: mono basin mixer
deck mounted
with pop-up waste
with water flow straightener
with water flow aerator
cold ceramic cartridge AST-VALVE/CD/CL-1/2
hot ceramic cartridge AST-VALVE/CD/HT-1/2
2 x 1/2" (nut) x 300mm flexipipe connections
deck mount drill hole diameter 33mm

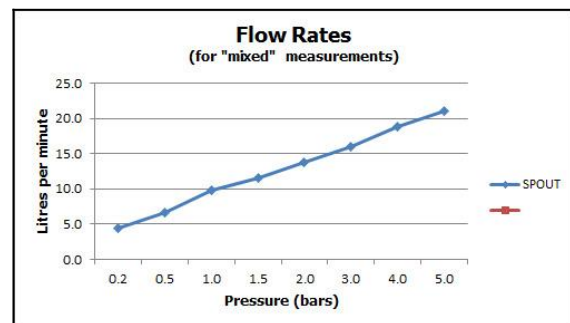
finishes: chrome

H₂O ECo recommended flow regulator product code: FR-100/5-PLA

guarantee: 12 year guarantee

minimum operating pressure: 0.2 bar LP

flow rate at 3.0 bar flow pressure: 16 l/min



'mixed measurements' refers to equal hot and cold water supply flow rate for unregulated flow unless flow regulator fitted as standard

certificates and awards:



cert no. 1211011

VADO wedmore road cheddar somerset england bs27 3eb
tel 01934 744466 fax 01934 744345 sales@vado-uk.com www.vado-uk.com