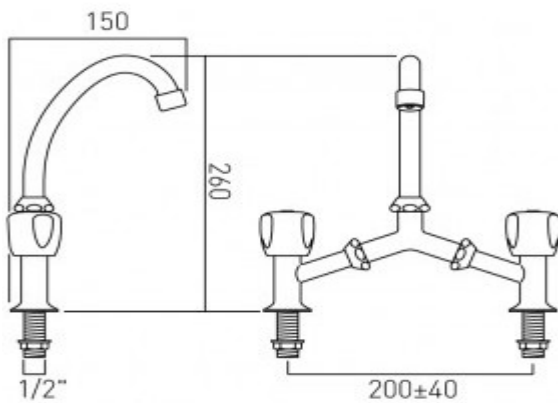




technical drawing:



**description:** adjustable bridge mixer  
deck mounted  
with swivel spout  
with water flow straightener  
cold ceramic cartridge AST-VALVE/CD/CL-1/2  
hot ceramic cartridge AST-VALVE/CD/HT-1/2  
1/2" x 40mm threaded tail connections  
deck mount drill hole diameter 22mm

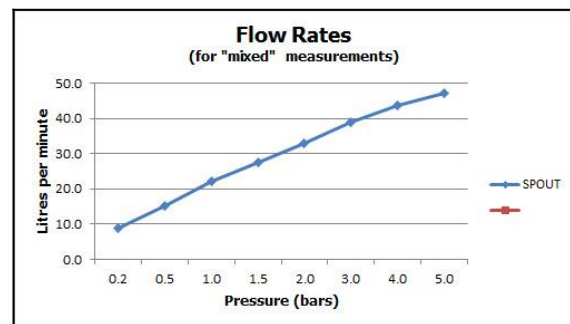
**finishes:** chrome

**H<sub>2</sub>O Eco** recommended flow regulator product code: FR-106/4-PLA

**guarantee:** 12 year guarantee

**minimum operating pressure:** 0.2 bar LP

**flow rate at 3.0 bar flow pressure:** 39 l/min



'mixed measurements' refers to equal hot and cold water supply  
flow rate for unregulated flow unless flow regulator fitted as standard