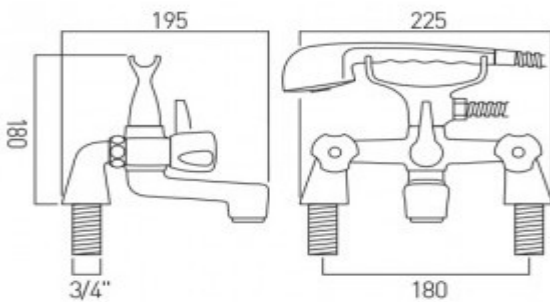




technical drawing:



**description:** exposed bath shower mixer  
pillar mounted  
with shower kit  
with flow straightener or aerator  
cold ceramic cartridge AST-VALVE/CD/CL-1/2  
hot ceramic cartridge AST-VALVE/CD/HT-1/2  
3/4" x 50mm threaded tail connections  
(on pillar legs)  
deck mount drill hole diameter 27mm

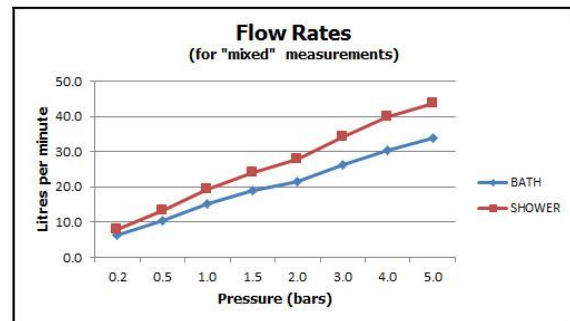
**finishes:** chrome

**H<sub>2</sub>O Eco** recommended flow regulator product code: FR-SHOWER/9-C/P

**guarantee:** 12 year guarantee

**minimum operating pressure:** 0.2 bar LP

**flow rate at 3.0 bar flow pressure:** Bath: 26, Shower: 34 l/min



'mixed measurements' refers to equal hot and cold water supply flow rate for unregulated flow unless flow regulator fitted as standard