

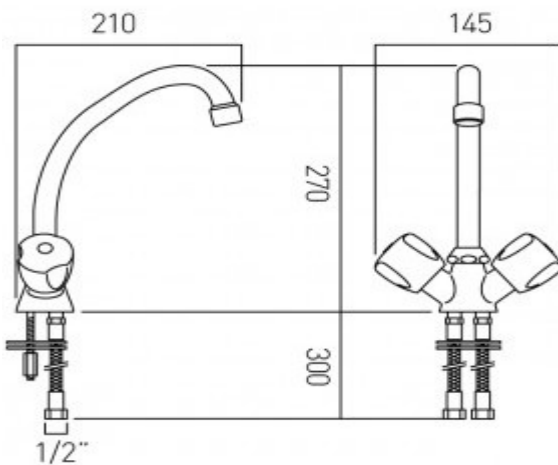


it's a personal experience  
taps | showering | accessories

technical sheet  
product code: WAR-251/CD-C/P



technical drawing:



description: mono sink mixer  
deck mounted  
with swivel spout  
with water flow straightener  
cold ceramic cartridge AST-VALVE/CD/CL-1/2  
hot ceramic cartridge AST-VALVE/CD/HT-1/2  
2 x 1/2" (nut) x 300mm flexipipe connections  
deck mount drill hole diameter 33mm

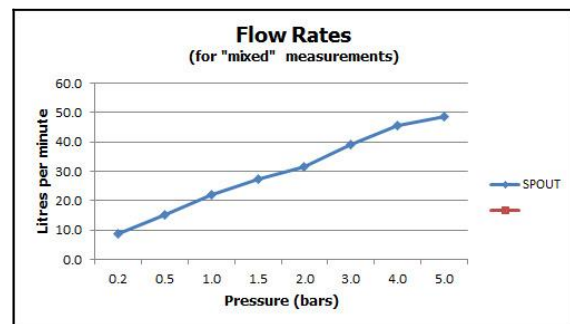
finishes: chrome

recommended flow regulator product code: FR-FLEXI/5-PLA

guarantee: 12 year guarantee

minimum operating pressure: 0.2 bar LP

flow rate at 3.0 bar flow pressure: 39 l/min



'mixed measurements' refers to equal hot and cold water supply  
flow rate for unregulated flow unless flow regulator fitted as standard