

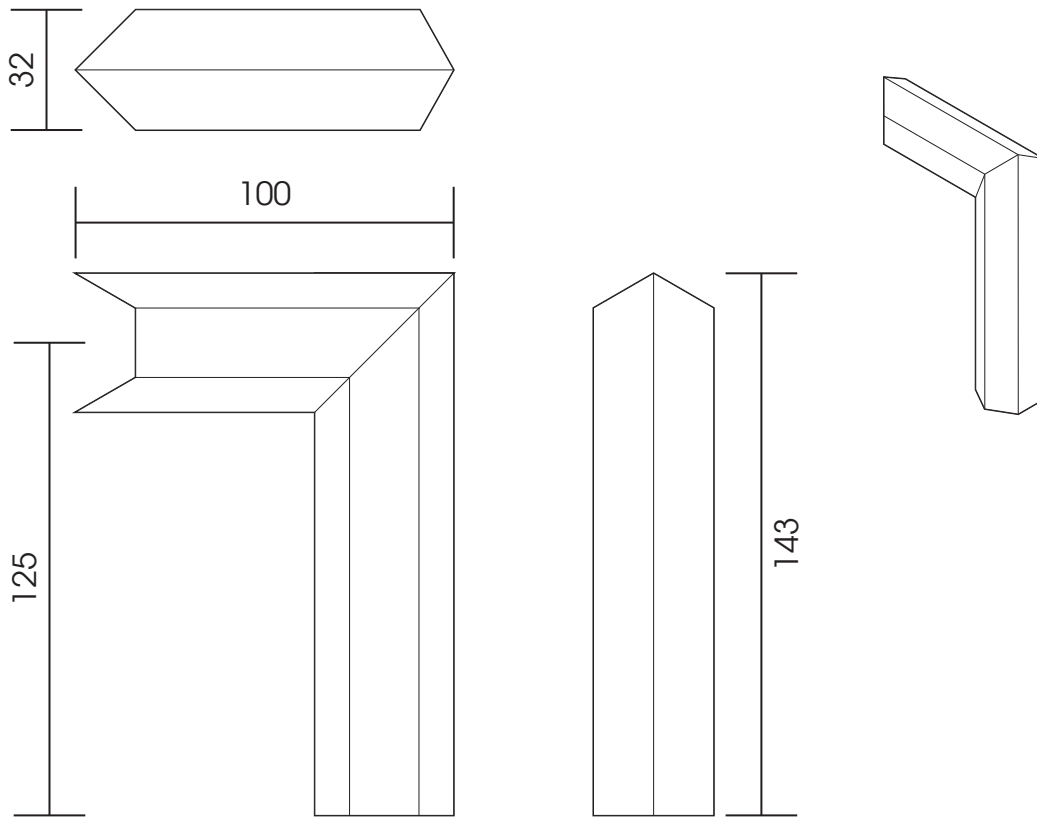
AC007Hh - hexagonal cover shroud

 horizontally orientated for OG012/013/014

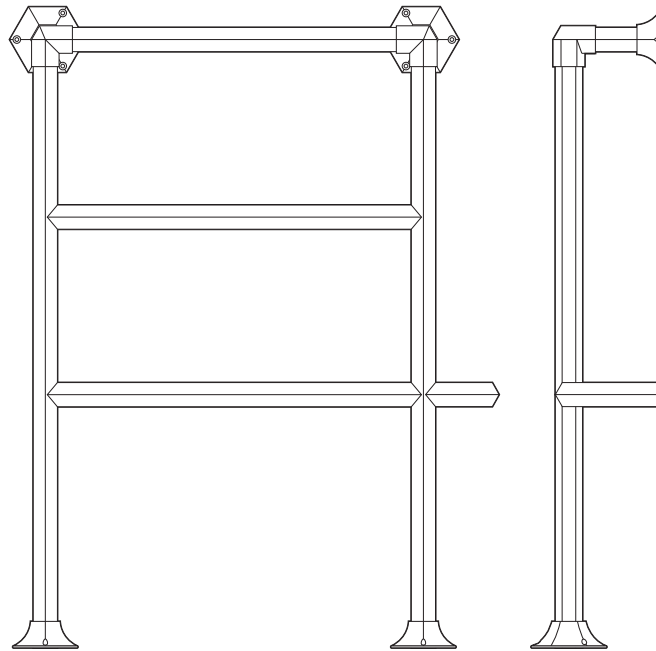
Height: 32
Width: 100
Depth: 143

Tube: 32 mm a/f hexagonal
Output @ 50°CΔT: n/a
Electric element: n/a

Manufactured from ISO/CEN CuZn30As (BS CZ126) brass tube



OG012 with
cover shroud
scale 1:10



All dimensions in millimetres

Vogue UK Ltd. reserve the right to alter specifications without prior notice.
All measurements are nominal dimensions only, and are not binding

SCALE 1:2



Units 6-10 Strawberry Lane Industrial Estate
Strawberry Lane
Willenhall
West Midlands WV13 3RS

Tel: 01902 387000
Fax: 01902 387001
e-mail: sales@vogueuk.co.uk
www.vogueuk.co.uk

