

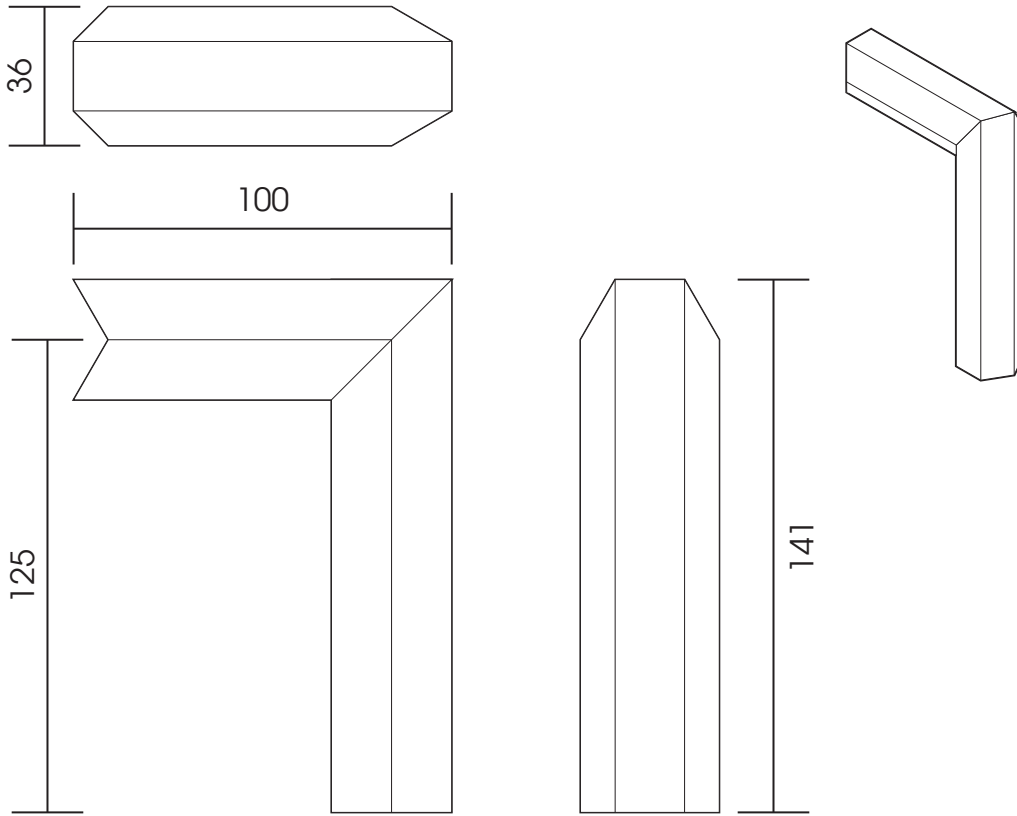
# AC007Hv - hexagonal cover shroud

 vertically orientated for OG010/011

Height: 36  
Width: 100  
Depth: 141

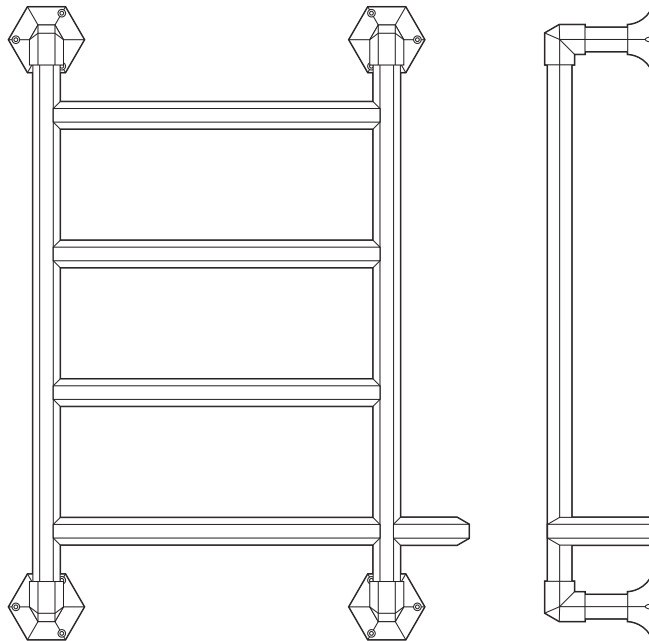
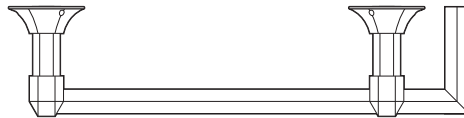
Tube: 32 mm a/f hexagonal  
Output @ 50°CΔT: n/a  
Electric element: n/a

Manufactured from ISO/CEN CuZn30As (BS CZ126) brass tube



OG010 with  
cover shroud

scale 1:10



All dimensions in millimetres

Vogue UK Ltd. reserve the right to alter specifications without prior notice.  
All measurements are nominal dimensions only, and are not binding

SCALE 1:2



Units 6-10 Strawberry Lane Industrial Estate  
Strawberry Lane  
Willenhall  
West Midlands WV13 3RS

Tel: 01902 387000  
Fax: 01902 387001  
e-mail:sales@vogueuk.co.uk  
www.vogueuk.co.uk

