

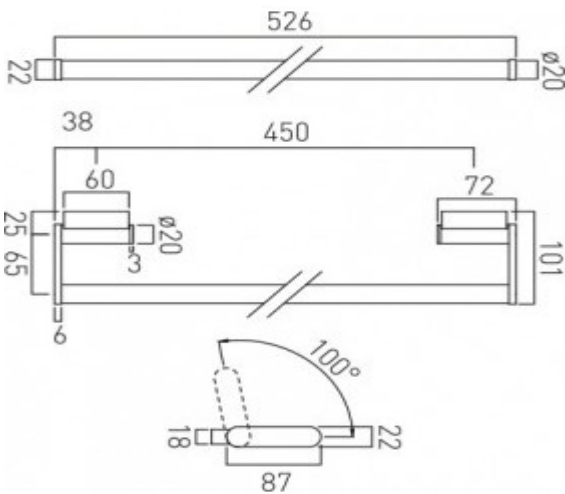


it's a personal experience
taps | showering | accessories

technical sheet
product code: INF-184-45-C/P



technical drawing:



description: towel rail
wall mounted
450mm (18")

finishes: chrome

guarantee: 12 year guarantee