

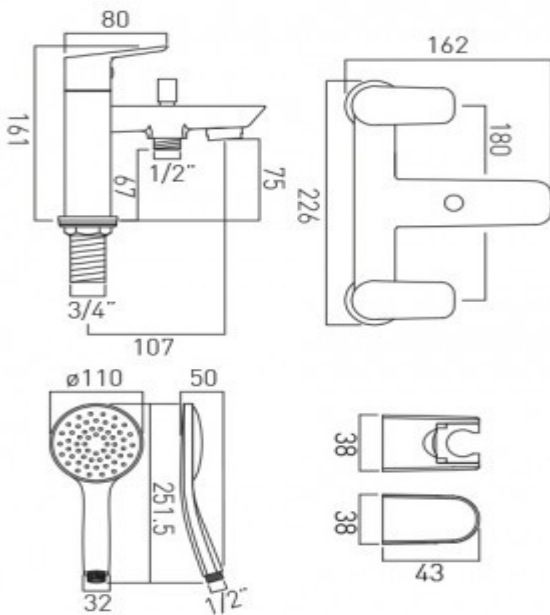


it's a personal experience  
taps | showering | accessories

technical sheet  
product code: PHO-130+K-C/P



technical drawing:



**description:** 2 hole bath shower mixer deck mounted with shower kit cold ceramic cartridge ION-VALVE/CD/CL-3/4 hot ceramic cartridge ION-VALVE/CD/HT-3/4 2 x 3/4" fitted tails 1 x 1/2" shower outlet deck mount drill hole diameter 28-30mm

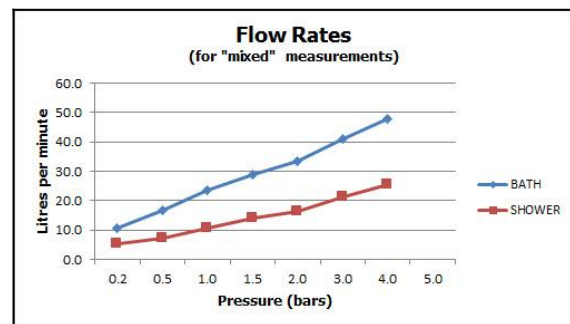
**finishes:** chrome

**Eco** recommended flow regulator product code: FR-SHOWER/9-C/P

**guarantee:** 12 year guarantee

**minimum operating pressure:** 0.2 bar LP

**flow rate at 3.0 bar flow pressure:** Bath: 41, Shower: 21 l/min



'mixed measurements' refers to equal hot and cold water supply flow rate for unregulated flow unless flow regulator fitted as standard