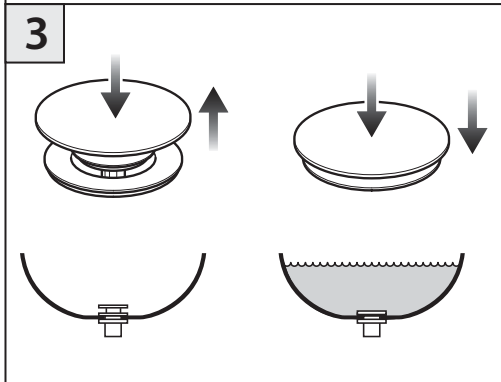
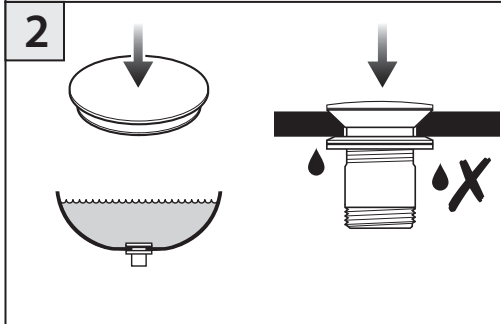
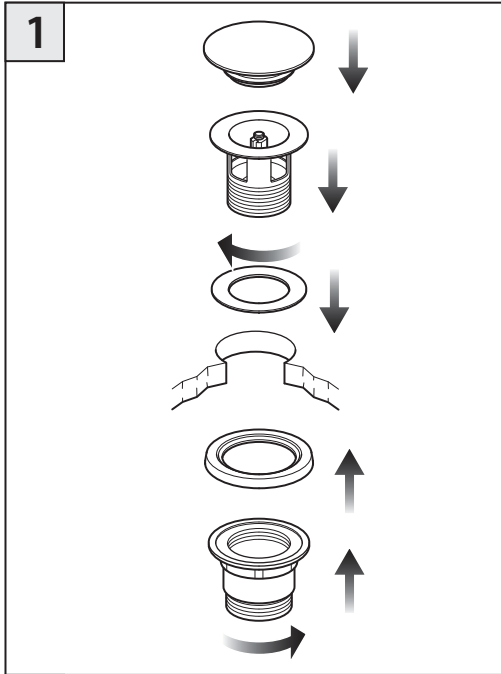
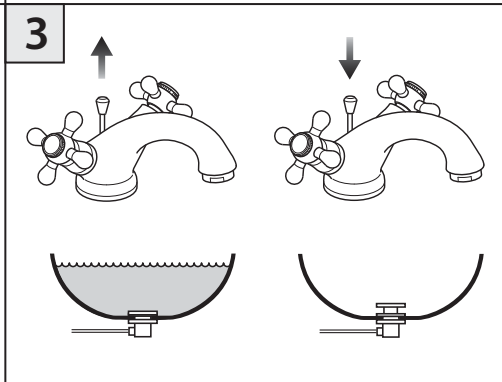
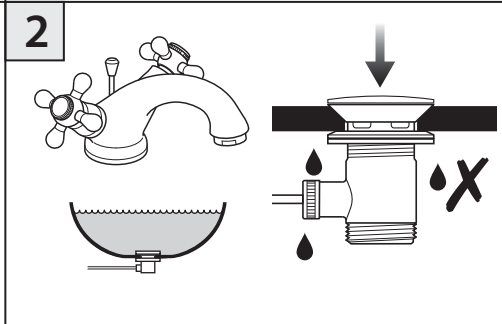
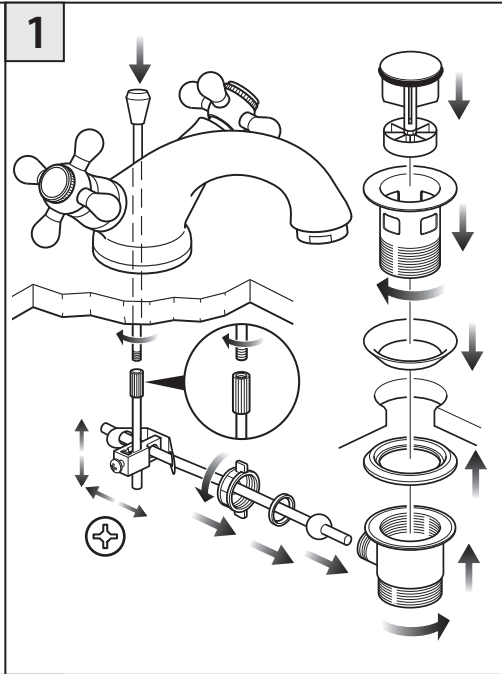
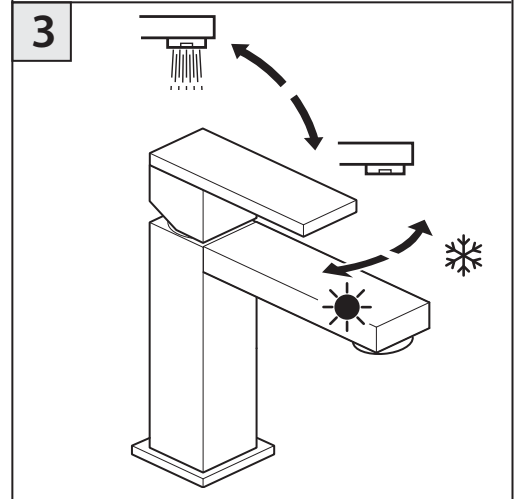
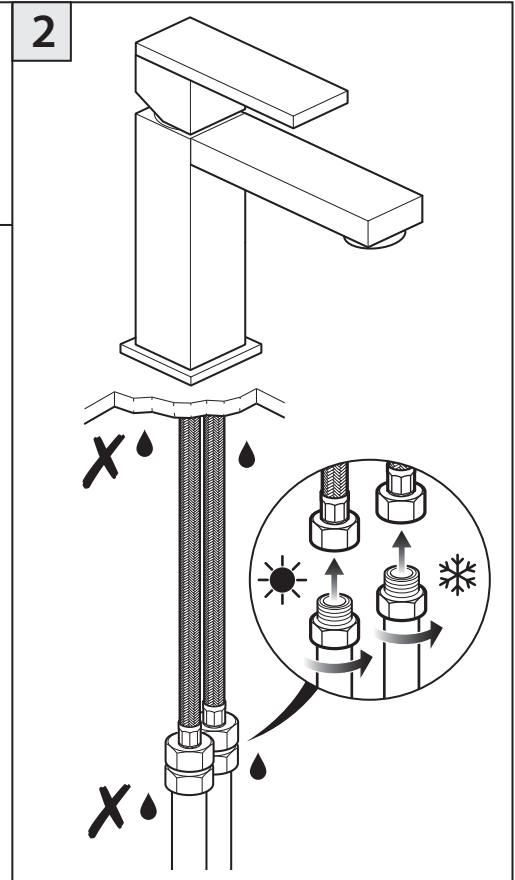
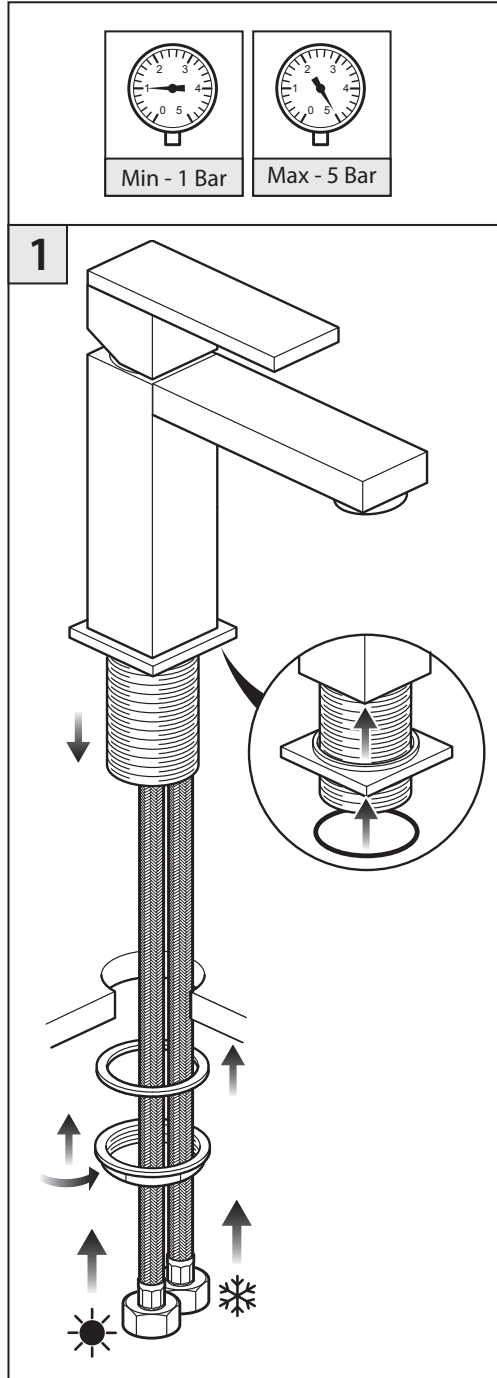


**A****B****VADO**

NOT-100/SB-C/P NOT-100/CC-C/P NOT-100E/SB-C/P  
 NOT-100E/CC-C/P NOT-110-C/P

**VADO**

ASC-100-C/P, ION-100/CC-C/P, LIF-100/SB-C/P, MAG-100SB-C/P, MAT-100SB/C/P, ORI-100/CC-C/P  
 PHA-100-C/P, PHA-100M/CC-C/P, PHO-100-C/P, ASC-110-C/P, PHA-110-C/P, PHO-110-C/P

ASC-100-C/P  
 ION-100/CC-C/P  
 MAG-100SB-C/P  
 MAT-100SB/C/P  
 PHA-100-C/P  
 PHO-100-C/P

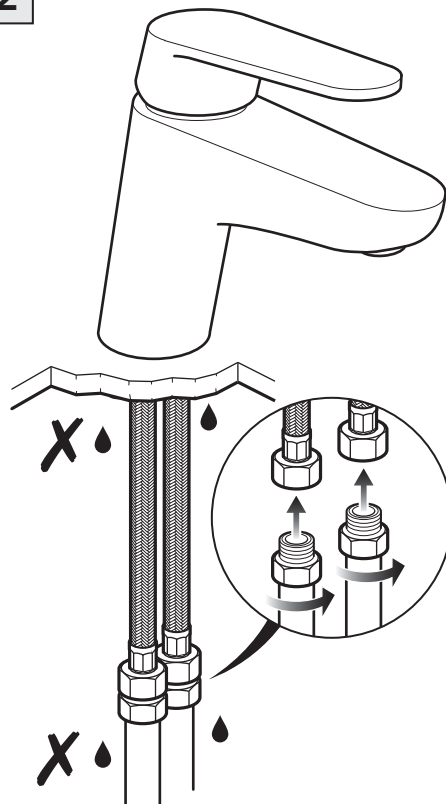
ORI-100/CC-C/P  
 PHA-110-C/P  
 PHO-110-C/P

LIF-100/SB-C/P  
 PHA-100M/CC-C/P  
 ASC-110-C/P

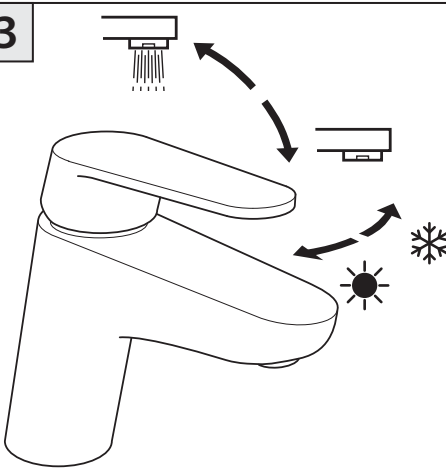
Min - 0.2 Bar    Min - 0.3 Bar    Min - 0.5 Bar

Max - 5 Bar

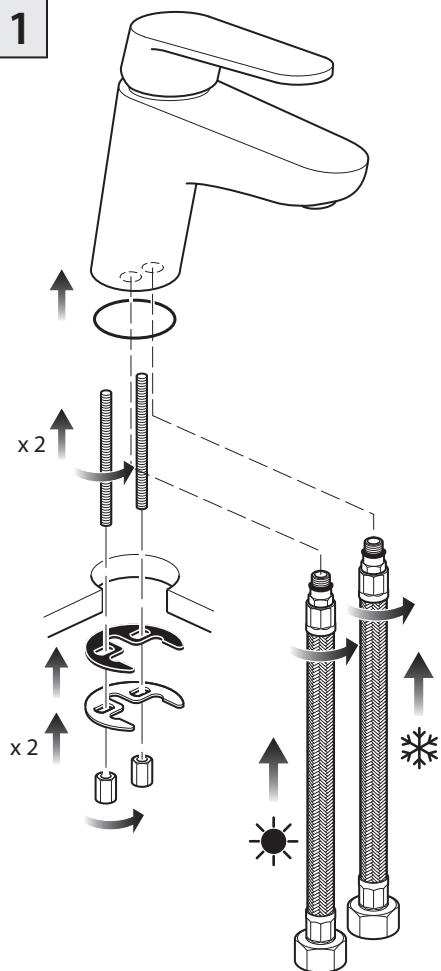
2



3



1



AST-100/CD-C/P, ELW-100-C/P, SEN-100/SB-C/P, TE-100/SB-C/P, TON-100/CC-C/P, VIC-100-C/P, ZOO-100/CC-C/P, GEO-200/SL-C/P  
 ELW-110-C/P, KEN-151/CD-C/P, VIC-110-C/P

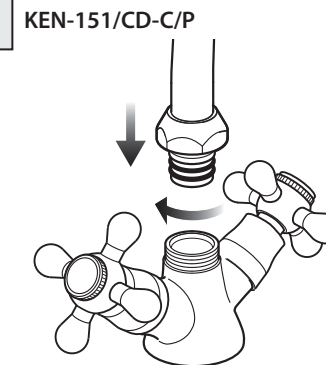
AST-100/CD-C/P  
 ELW-100-C/P  
 SEN-100/SB-C/P  
 TE-100/SB-C/P  
 TON-100/CC-C/P  
 VIC-100-C/P  
 ZOO-100/CC-C/P  
 GEO-200/SL-C/P

ELW-110-C/P  
 KEN-151/CD-C/P  
 VIC-110-C/P

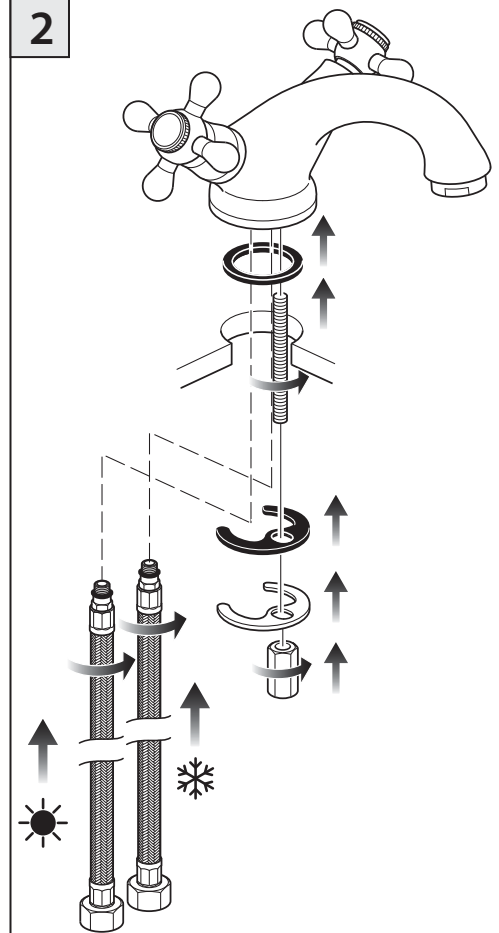
Min - 0.2 Bar    Min - 0.3 Bar

Max - 5 Bar

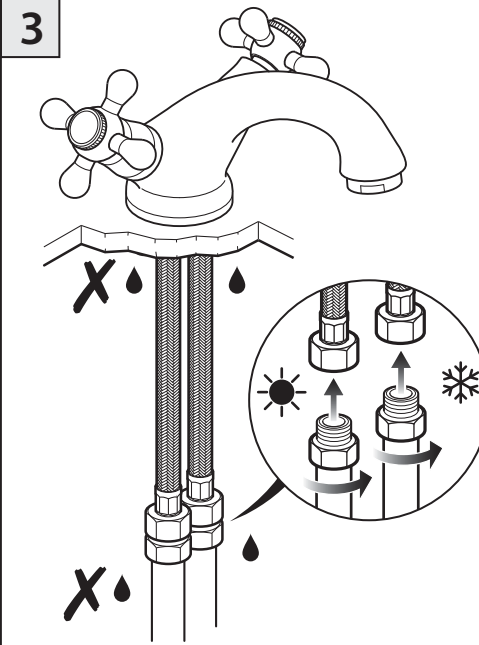
1



2



3



4

