

Customer/technical services

For any technical or installation queries please contact Vado on 01934 745163.

Guarantee

This product is guaranteed against manufacturing defects from the date of purchase until the expiry of the relevant guarantee period shown below.

The guarantee is only valid if:-

1. The product has been installed, used and maintained in accordance with Vado's instructions and subjected to normal use only.
2. The defect is not due to use of an unsuitable or inadequate water or power supply.
3. The defect is not due to accident, misuse, neglect or repair other than by Vado or Vado authorised agents or damage caused by foreign objects or substances.
4. We have received from you the completed Guarantee Registration Form. Vado accepts no responsibility for any forms lost in the post and returns by registered means is therefore recommended.

Under this guarantee (which is non-transferable) Vado will, at its option, repair or replace free of charge any product (or replacement part) found to be defective. The guarantee does not extend to any consequential loss or damage. After repair or replacement the relevant guarantee period will be calculated from the original date of purchase.

The relevant guarantee periods are:-

1. Twelve years on chrome finish products.
2. Six years on Vado Identity products.
3. Three years on all other products with the exception of Stuart Turner Pumps which carry a 2 year Guarantee on Monsoon Range and 1 Year Guarantee on Showermate Range.

All claims under the guarantee must be submitted in writing to the person who supplied the product to you and must be received no later than the last day of the relevant guarantee period. All claims must be accompanied by proof of purchase (sales receipt or delivery note).

Vado operates a policy of continuous product development and therefore reserves the right to change the product, packaging and documentation specifications without notice.

This guarantee is in addition to and does not affect your statutory rights as a consumer.

Vado

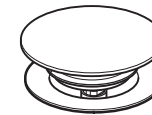
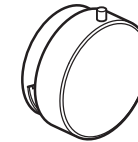
Wedmore Road, Cheddar, Somerset, England BS27 3EB
tel 01934 744466. fax 01934 744345
technical@vado-uk.com
www.vado-uk.com

GUARANTEE REGISTRATION

NAME				
ADDRESS				
	POSTCODE			
RETAILER				
ADDRESS				
	POSTCODE			
PURCHASE DATE	ARTICLE NUMBER	(SEE BOX)		
PRODUCT DESCRIPTION				
WHO INSTALLED THE PRODUCT?	RETAILER	PLUMBER	BUILDER	SELF
FOR VADO USE				



Installation & maintenance instructions



WG-71389-C/P & WG-71552-C/P

Bath wastes with flexible pipe

Please leave these instructions with the customer

Important - please read

Please read these instructions carefully before starting installation and keep for future reference.

Remove all packaging and check the product for missing parts or damage before starting installation.

Any alterations made to this product and fittings may infringe water regulations and will invalidate the guarantee.

The installation must comply with all Local/National Water Supply Authority Regulations/Byelaws and Building and Plumbing (UK:BS6700) Regulations.

We strongly recommend that you use a qualified and registered plumber.

Installer must comply with current regulations.

Please note if installing in an enclosed environment, access should be left for servicing and maintenance. No costs relating to inadequate access can be accepted.

Care of the waste

Our products are finished to the highest standard and due care needs to be taken to ensure their looks are retained.

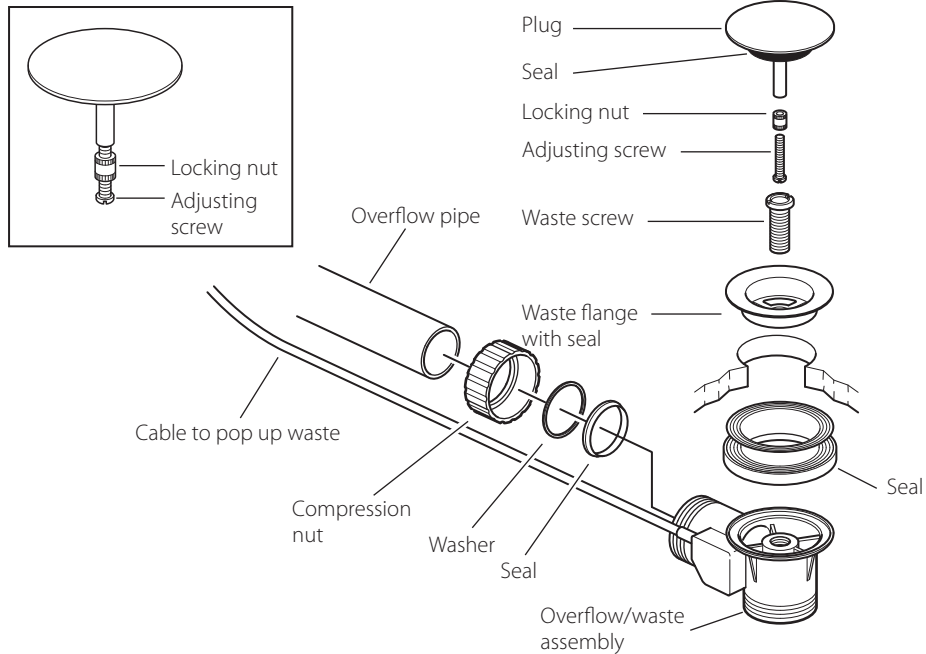
We recommend cleaning all products with a soft damp cloth ONLY and advise strongly against the use of ALL cleaning products i.e. powders and liquids.

Use only mild soap and water to clean the surface of your mixer valve and dry with a soft dry cloth.

If the above instructions are not followed this will invalidate your guarantee in the event of a problem occurring.

Installers/users notes

Assembly and installation 71552



From below push the top part of the rubber seal up through the hole in the bath.

Push the waste housing up into the seal and hold in place.

From inside the bath place the waste flange over the seal and secure in position using the screw, do not over tighten as might damage the bath.

Slide the compression nut, washer and seal over the pipe, push the pipe fully into the waste assembly, slide along the seal and washer and finally screw on the nut, hand tight only. Push in the plug.

Decreasing the pipe length.

The pipe can be shortened by carefully cutting, removing any burrs. Ensure all calculations are correct before cutting the pipe. Finish by following the above procedure.

Plug adjustment

To adjust the opening and/or closing position of the plug.

With a flat screwdriver loosen the adjusting screw to the required position, tighten the locking nut, and refit into the waste. Test, and readjust if necessary.

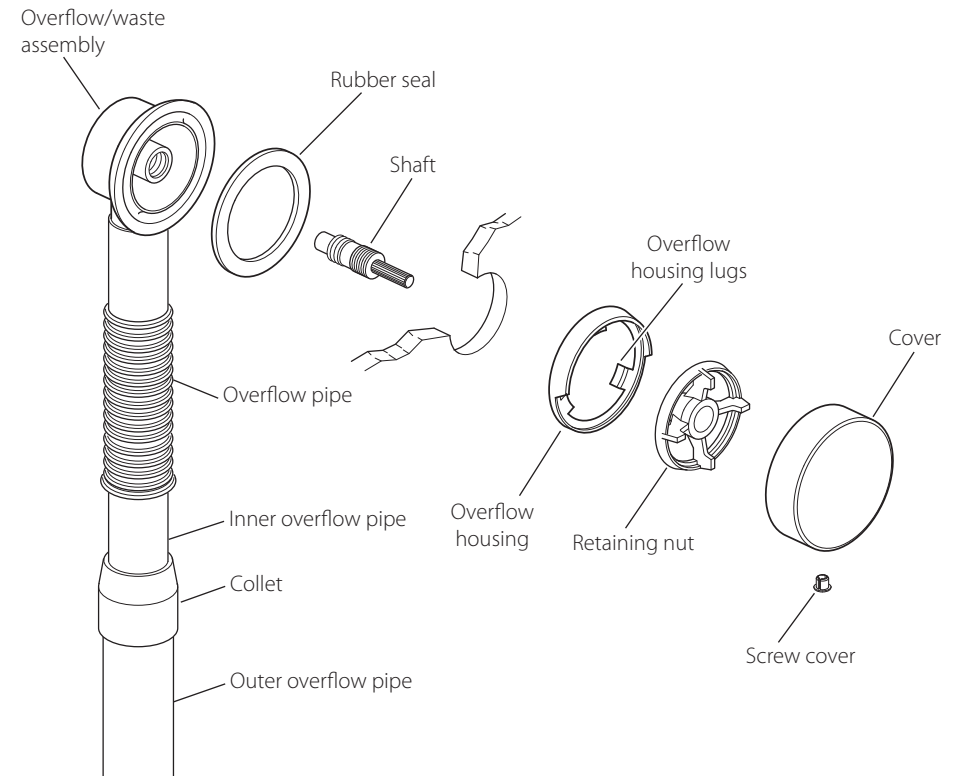
Operation



Turning the handle clockwise opens the plug.

Turning the handle anti-clockwise closes the plug.

Assembly and installation 71389



The length of the overflow pipe can be adjusted by pulling apart or pushing together the inner and outer overflow pipes.

Should you need to reduce the length even more, pull the outer overflow out of the collet, cut both the outer overflow pipe and the inner overflow pipe to the required length, remove any burrs and assemble.

Ensure all calculations are correct before cutting pipes.

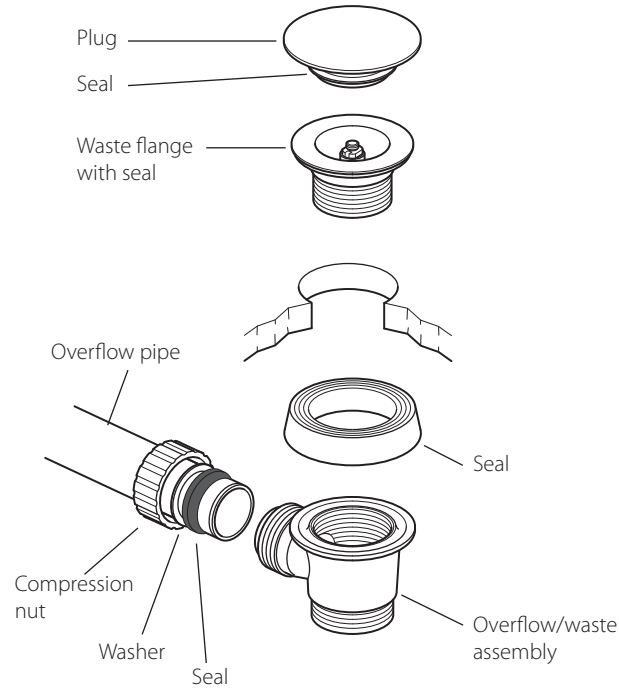
Push the rubber seal onto the overflow/waste assembly, screw in the shaft and from the outside push through the bath overflow hole, hold in place.

Push the overflow housing into the hole in the bath, make sure that the gap for overflow is on the underside. Should the hole in bath be smaller than circumference of overflow housing lugs, please carefully remove the lugs to ensure correct installation.

Secure using the retaining nut and tighten (do not over tighten as this may damage the parts and/or the bath).

With the hole for the grub screw on the underside push the cover onto the assembly, tighten with the supplied allen key, push on the screw cover.

Assembly and installation 71389



Push the seal onto the waste assembly

From below push the assembly up under the hole in the bath, and hold in place.

From inside the bath screw the waste flange into the assembly and tighten by hand, (do not over tighten as this may damage the parts and/or the bath).

Slide the compression nut, washer and seal over the pipe, push the pipe fully into the waste assembly, slide along the seal and washer and finally screw on the nut, hand tight only.

Screw on the plug.

Decreasing the pipe length.

The pipe can be shortened by carefully cutting, removing any burrs.

Ensure all calculations are correct before cutting the pipe.

Finish by following the above procedure.

Operation

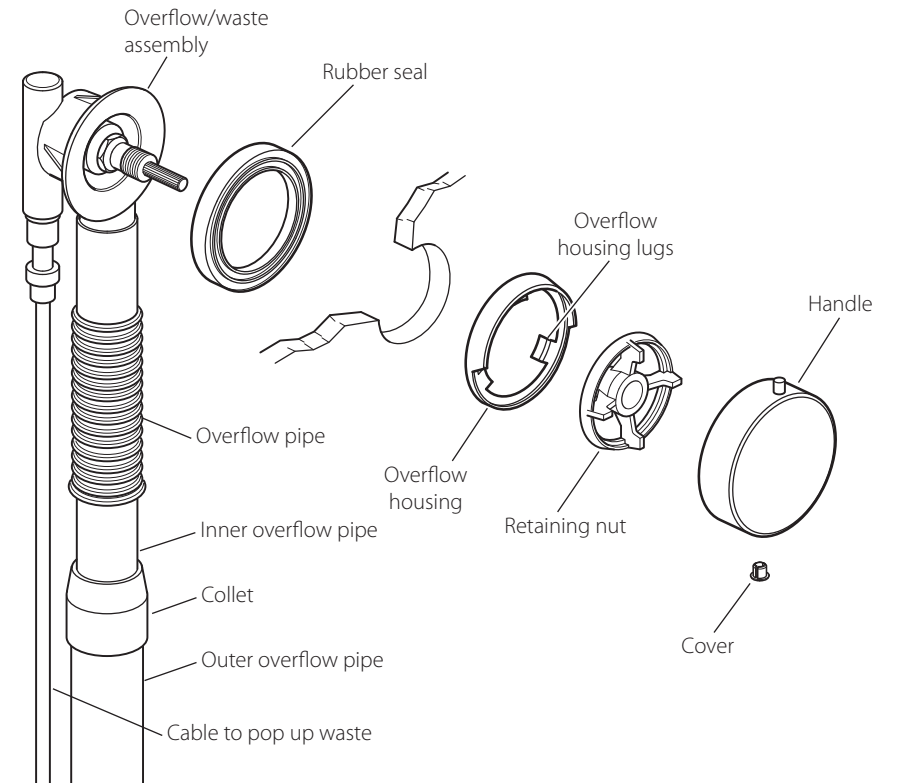


Push down to open the plug.



Push down again to close the plug.

Assembly and installation 71552



The length of the overflow pipe can be adjusted by pulling apart or pushing together the inner and outer overflow pipes.

Should you need to reduce the length even more, pull the outer overflow out of the collet, cut both the outer overflow pipe and the inner overflow pipe to the required length, remove any burrs and assemble.

Ensure all calculations are correct before cutting pipes.

Push the rubber seal onto the overflow/waste assembly, and from the outside push the shaft through the bath overflow hole and hold in place.

Push the overflow housing into the hole in the bath, make sure that the gap for overflow is on the underside. Should the hole in bath be smaller than circumference of overflow housing lugs, please carefully remove the lugs to ensure correct installation.

Secure using the retaining nut and tighten (do not over tighten as this may damage the parts and/or the bath).

Push the handle onto the assembly, with the small lever at the 12 o'clock position, secure the handle using the grub screw in the underside and tighten with the supplied allen key, push on the screw cover.