

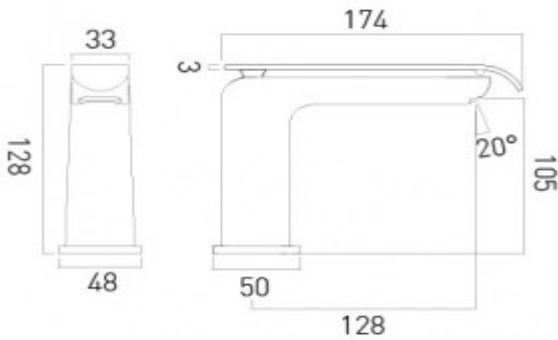


it's a personal experience  
taps | showering | accessories

technical sheet  
product code: KOV-100/SB-C/P



technical drawing:



**description:** mono basin mixer  
single lever  
deck mounted  
smooth bodied  
without universal basin waste  
ceramic cartridge ST-231L/25-CAR  
2 x 1/2" nut x 550mm flexipipe connections  
deck hole drill diameter 35mm

**finishes:** chrome

**Eco** <sup>H<sub>2</sub></sup> recommended flow regulator product code: fitted as standard

**guarantee:** 12 year guarantee

**minimum operating pressure:** 0.2 bar LP

**flow rate at 3.0 bar flow pressure:** 6 l/min