

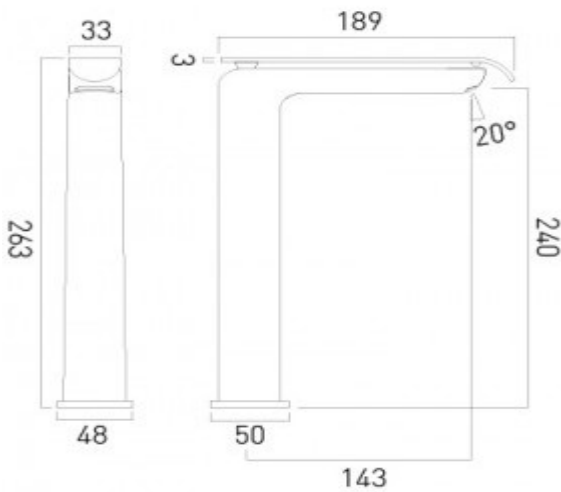


it's a personal experience
taps | showering | accessories

technical sheet
product code: KOV-100E/SB-C/P



technical drawing:



description: extended mono basin mixer
single lever
deck mounted
smooth bodied
without universal basin waste
ceramic cartridge ST-231L/25-CAR
2 x 1/2" nut x 550mm flexipipe connections
deck hole drill diameter 35mm

finishes: chrome

Eco ^{H₂} recommended flow regulator product code: fitted as standard

guarantee: 12 year guarantee

minimum operating pressure: 0.2 bar LP

flow rate at 3.0 bar flow pressure: 6 l/min