

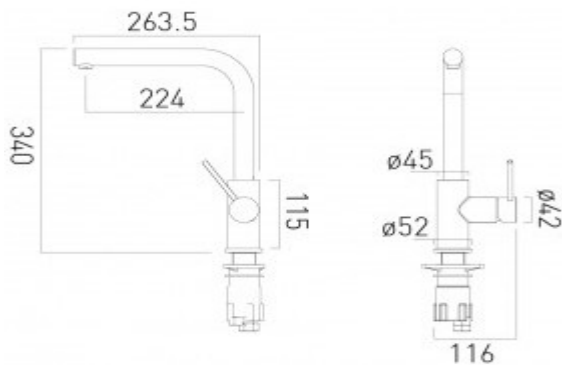


it's a personal experience
taps | showering | accessories

technical sheet
product code: CUC-1007-C/P



technical drawing:



description: camber
mono sink mixer
single lever
deck mounted
with swivel spout

finishes: chrome

 recommended flow regulator product code: FR-100/5-PLA

guarantee: 12 year guarantee