

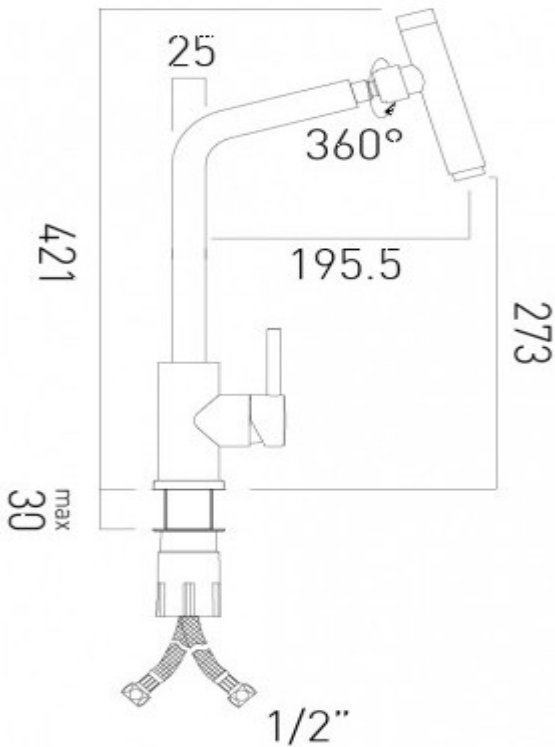


it's a personal experience  
taps | showering | accessories

technical sheet  
product code: CUC-1010-S/S



technical drawing:



description: accent  
mono sink mixer  
single lever  
deck mounted  
with swivel spout  
and directional flow

finishes: stainless steel

**Eco** recommended flow regulator product code: FR-100/5-PLA

guarantee: 12 year guarantee