

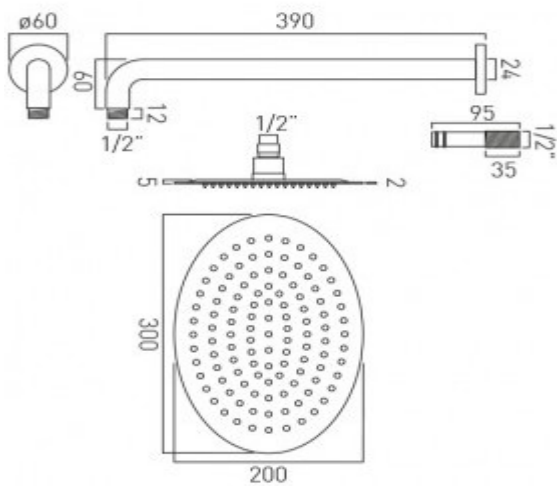


where inspiration flows
taps | showering | accessories

technical sheet
product code: AQB-OV/30/SA-C/P



technical drawing:



description: aquablade single function slim line easy clean oval shower head with shower arm wall mounted 200mm x 300mm (8" x 12")

finishes: chrome

Eco recommended flow regulator product code: FR-SHOWER/9-C/P

guarantee: 12 year guarantee

minimum operating pressure: 0.2 bar LP

certificates and awards:



cert no. 1411036