

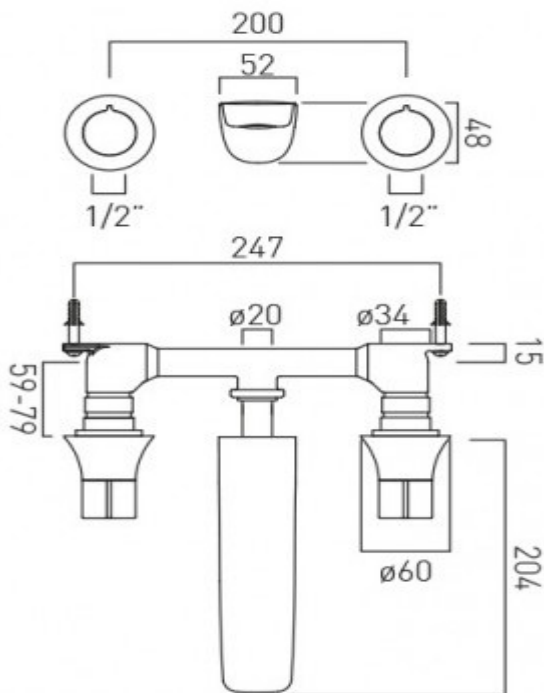


where inspiration flows  
taps | showering | accessories

technical sheet  
product code: ALT-109-2-C/P



technical drawing:



**description:** 3 hole wall basin mixer  
with rectangular backplate  
with directional aerator  
2 x 1/2" inlet  
min-max wall mount 59-79mm

**finishes:** chrome

**ECO** recommended flow regulator product code: FR-100/5-PLA

**guarantee:** 12 year guarantee

**minimum operating pressure:** 0.2 bar LP

**flow rate at 3.0 bar flow pressure:** 18 l/min