

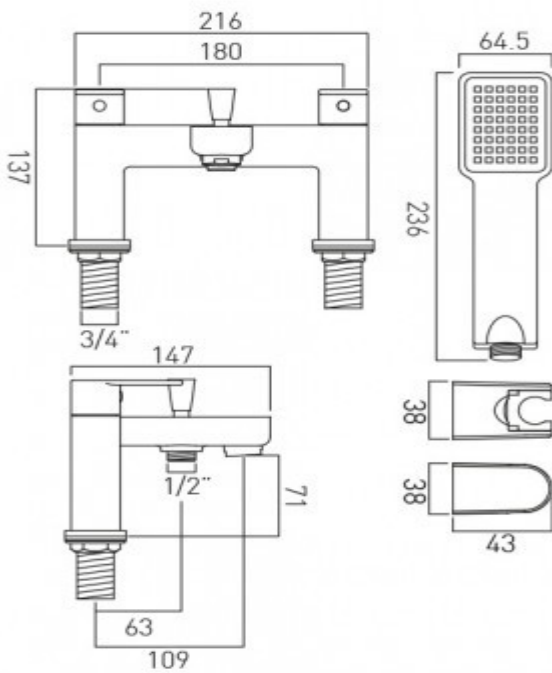


where inspiration flows  
taps | showering | accessories

technical sheet  
product code: PHA-130+K-C/P



technical drawing:



description: 2 hole bath shower mixer  
deck mounted  
with shower kit  
cold ceramic cartridge ION-VALVE/CD/CL-3/4  
hot ceramic cartridge ION-VALVE/CD/HT-3/4  
2 x 3/4" fitted tails  
1 x 1/2" shower outlet  
deck mount drill hole diameter 28-30mm

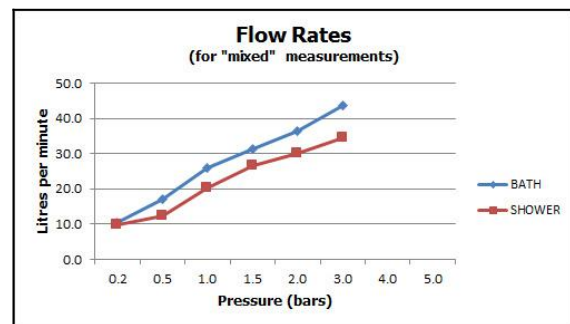
finishes: chrome

recommended flow regulator product code: FR-SHOWER/9-C/P

guarantee: 12 year guarantee

minimum operating pressure: 0.2 bar LP

flow rate at 3.0 bar flow pressure: Bath: 44, Shower: 35 l/min



'mixed measurements' refers to equal hot and cold water supply  
flow rate for unregulated flow unless flow regulator fitted as standard