

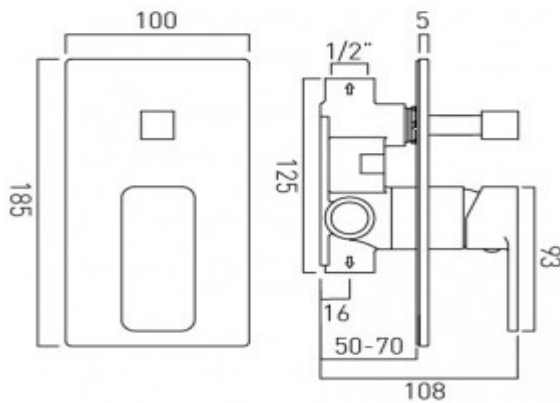


where inspiration flows  
taps | showering | accessories

technical sheet  
product code: PHA-147A-C/P



technical drawing:



description: concealed shower valve  
with diverter  
single lever  
wall mounted  
ceramic cartridge CAR-K35A  
2 x 1/2" female inlets  
2 x 1/2" female outlets  
min-max wall mount 49-70mm  
optimum installation depth 60mm

finishes: chrome

guarantee: 12 year guarantee

minimum operating pressure: 0.2 bar LP shower 1.5 bar MP bath

certificates and awards:



cert no. 1603027