

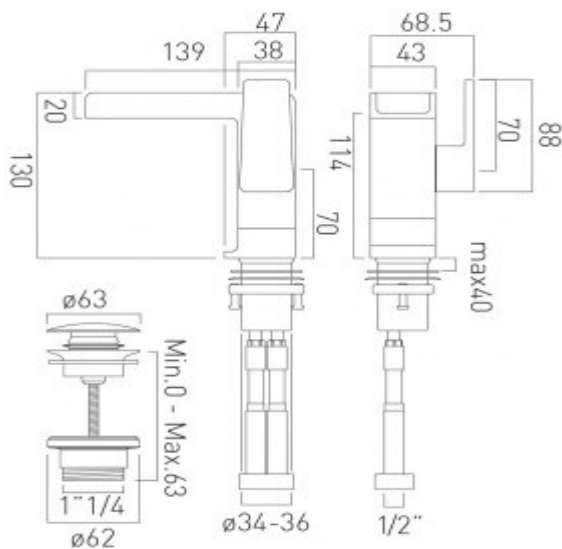


where inspiration flows
taps | showering | accessories

technical sheet
product code: SYN-100/CC-C/P



technical drawing:



description: progressive mono basin mixer
with waterfall spout
single lever
deck mounted
smooth bodied
with universal basin waste
ceramic cartridge SYN-CART/A
deck mount drill hole diameter 35mm

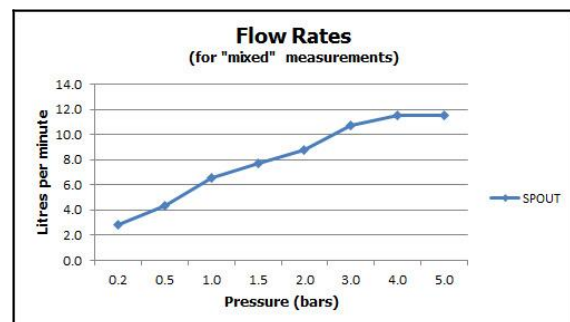
finishes: chrome

Eco recommended flow regulator product code: flow regulator fitted as standard

guarantee: 12 year guarantee

minimum operating pressure: 0.2 bar LP

flow rate at 3.0 bar flow pressure: 11 l/min



'mixed measurements' refers to equal hot and cold water supply flow rate for unregulated flow unless flow regulator fitted as standard