

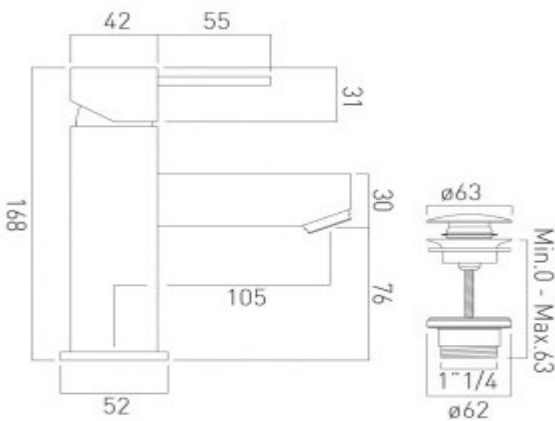


where inspiration flows  
taps | showering | accessories

technical sheet  
product code: TE-100/CC-C/P



technical drawing:



description: mono basin mixer  
single lever  
deck mounted  
smooth bodied  
with universal basin waste  
with water flow aerator  
ceramic cartridge CAR-K35A  
2 x 1/2" x 400mm flexipipe connections  
deck mount drill hole diameter 32mm

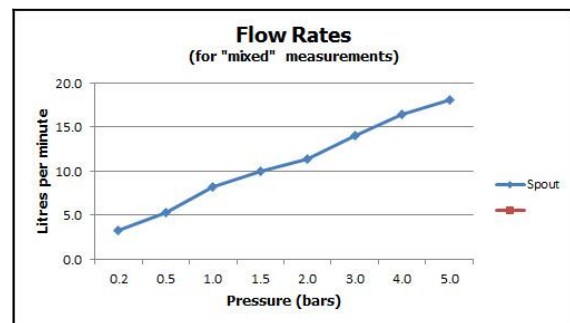
finishes: chrome

recommended flow regulator product code: FR-100/5-PLA

guarantee: 12 year guarantee

minimum operating pressure: 0.2 bar LP

flow rate at 3.0 bar flow pressure: 14 l/min



'mixed measurements' refers to equal hot and cold water supply  
flow rate for unregulated flow unless flow regulator fitted as standard