

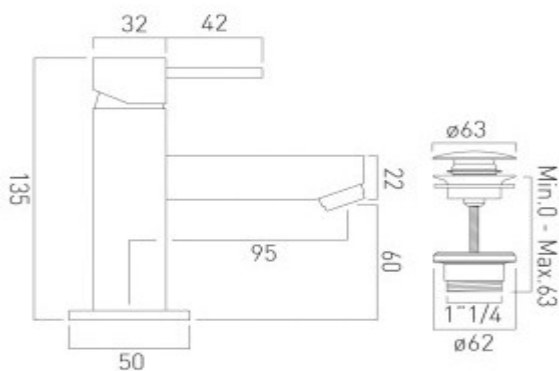


where inspiration flows
taps | showering | accessories

technical sheet
product code: TE-100M/CC-C/P



technical drawing:



description: mini mono mixer
single lever
deck mounted
smooth bodied
with universal basin waste
with water flow aerator
ceramic cartridge CAR-K25A/TE
2 x 1/2" x 400mm flexipipe connections
deck mount drill hole diameter 30mm

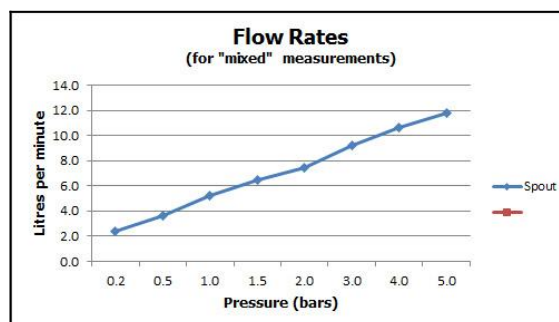
finishes: chrome

recommended flow regulator product code: FR-FLEXI/5-PLA

guarantee: 12 year guarantee

minimum operating pressure: 0.5 bar LP

flow rate at 3.0 bar flow pressure: 9 l/min



'mixed measurements' refers to equal hot and cold water supply
flow rate for unregulated flow unless flow regulator fitted as standard