

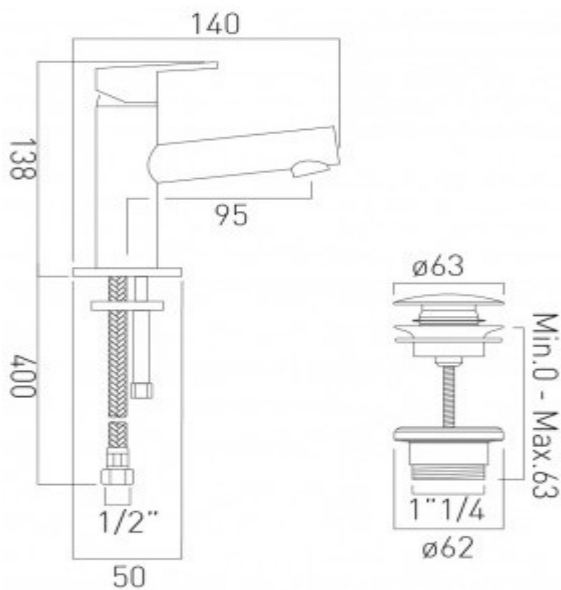


where inspiration flows
taps | showering | accessories

technical sheet
product code: SEN-100M/CC-C/P



technical drawing:



description: mini mono basin mixer
single lever
deck mounted
smooth bodied
with universal basin waste
with water flow aerator
ceramic cartridge ZOO-100M-CAR
2 x 1/2" x 400mm flexipipe connections
deck mount drill hole diameter 30mm

finishes: chrome

 recommended flow regulator product code: FR-FLEXI/5-PLA

guarantee: 12 year guarantee

minimum operating pressure: 0.5 bar LP