

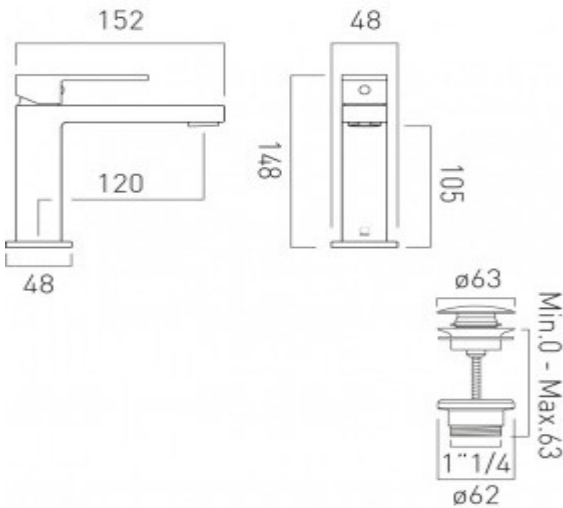


where inspiration flows
taps | showering | accessories

technical sheet
product code: NOT-200/CC-C/P



technical drawing:



description: slimline mono basin mixer
single lever
deck mounted
smooth bodied
with universal basin waste
with water flow aerator
ceramic cartridge C-010-N25
2 x 1/2" nut x 550mm flexipipe connections
deck mount drill hole diameter 35mm

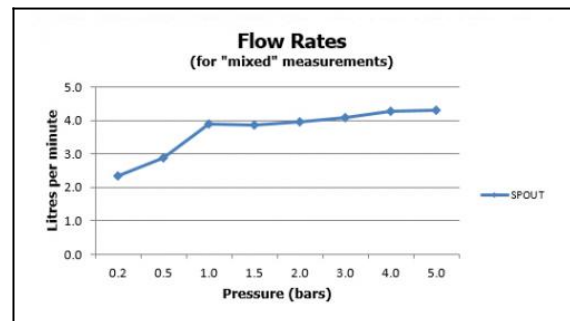
finishes: chrome

recommended flow regulator product code: 5l/min fitted as standar

guarantee: 12 year guarantee

minimum operating pressure: 1.0 bar MP

flow rate at 3.0 bar flow pressure: 5 l/min



'mixed measurements' refers to equal hot and cold water supply
flow rate for unregulated flow unless flow regulator fitted as standard