

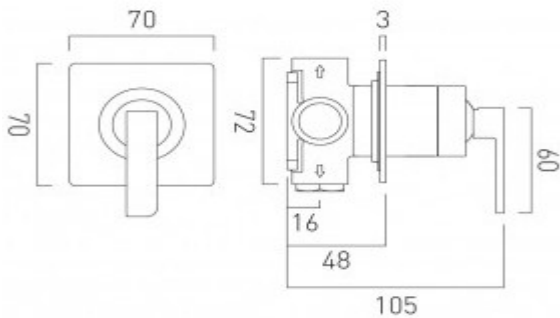


where inspiration flows
taps | showering | accessories

technical sheet
product code: OMI-145A-C/P



technical drawing:

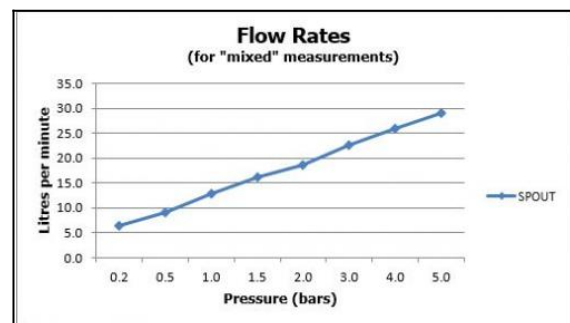


description: concealed shower valve
single lever
wall mounted
ceramic cartridge CAR-K35A
2 x 1/2" female inlets
2 x 1/2" female outlets (1 outlet blanked off)
min-max wall mount 40-65mm

finishes: chrome

guarantee: 12 year guarantee

minimum operating pressure: 0.2 bar LP (shower) 1.5 bar MP (bath)



'mixed measurements' refers to equal hot and cold water supply flow rate for unregulated flow unless flow regulator fitted as standard