

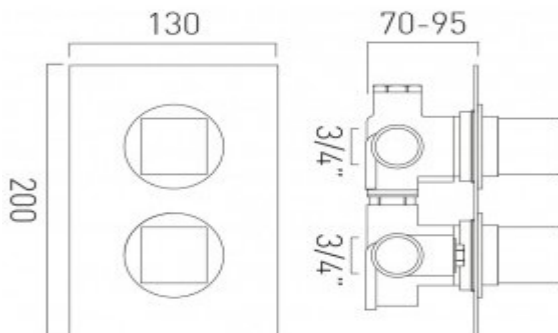


where inspiration flows
taps | showering | accessories

technical sheet
product code: MIX-148D/2-C/P



technical drawing:



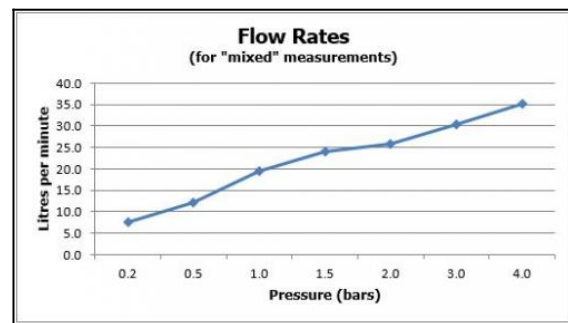
description: DX Mix²
concealed 2 outlet, 2 handle thermostatic shower valve with integrated diverter
wall mounted
with rectangular backplate
thermostatic cartridge V-001C-PLA
diverter cartridge FL-804-33X/3X
2 x 3/4" female inlets
2 x 3/4" female outlets
includes 3/4" - 1/2" adaptors
inc. bleed valve for system flush on installation
min-max wall mount 70-95mm
optimum installation depth 82mm
minimum operating pressure 0.2 bar LP (shower)
minimum operating pressure 1.0 bar MP (bath)

finishes: chrome

guarantee: 12 year guarantee

minimum operating pressure: 0.2 bar LP shower 1.0 bar MP bath

flow rate at 3.0 bar flow pressure: 30 l/min



'mixed measurements' refers to equal hot and cold water supply
flow rate for unregulated flow unless flow regulator fitted as standard