

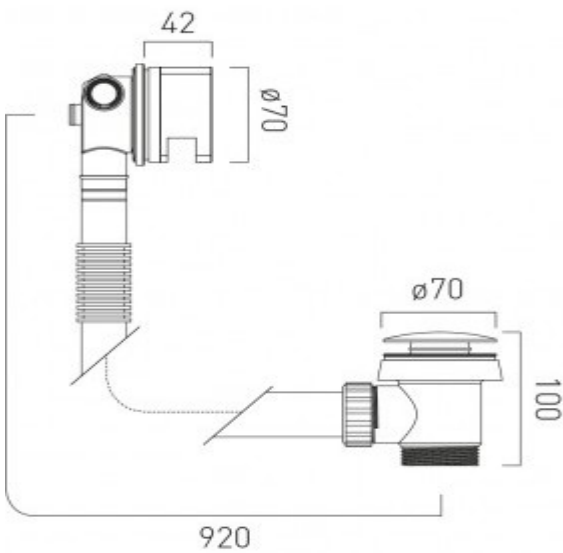


where inspiration flows  
taps | showering | accessories

technical sheet  
product code: WG-81389/SQ-C/P



technical drawing:



description: push type bath filler waste and overflow  
2 x 1/2" inlets  
1.1/2" x 10mm threaded outlet connection  
min-max overflow bath thickness 1mm-21mm  
minimum operating pressure 1.0 bar

finishes: chrome

guarantee: 12 year guarantee

minimum operating pressure: 1.0 bar MP