

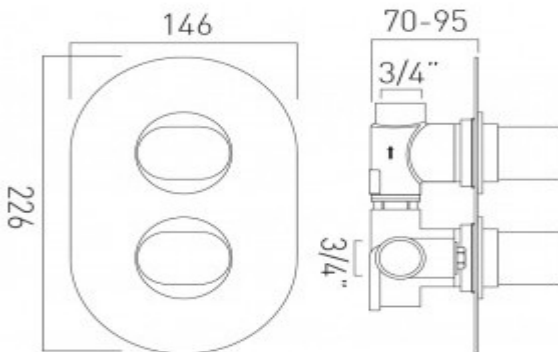


where inspiration flows  
taps | showering | accessories

technical sheet  
product code: LIF-148D-C/P



technical drawing:



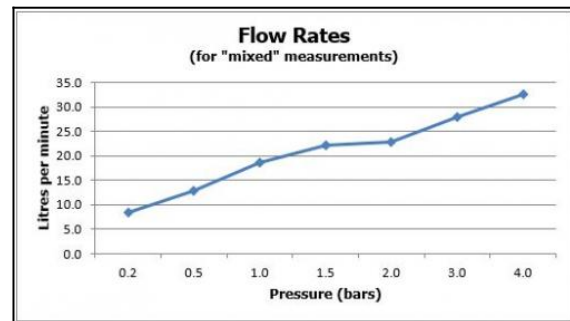
**description:** DX Life  
concealed 1 outlet, 2 handle thermostatic shower valve  
wall mounted  
with oval backplate  
thermostatic cartridge V-001C-PLA  
flow cartridge C-301-RTC  
2 x 3/4" female inlets  
1 x 3/4" female outlet  
includes 3/4" - 1/2" adaptors  
inc. bleed valve for system flush on installation  
min-max wall mount 70-95mm  
optimum installation depth 82mm  
minimum operating pressure 0.2 bar LP (shower)  
minimum operating pressure 1.0 bar MP (bath)

**finishes:** chrome

**guarantee:** 12 year guarantee

**minimum operating pressure:** 0.2 bar LP shower 1.0 bar MP bath

**flow rate at 3.0 bar flow pressure:** 30 l/min



'mixed measurements' refers to equal hot and cold water supply  
flow rate for unregulated flow unless flow regulator fitted as standard