

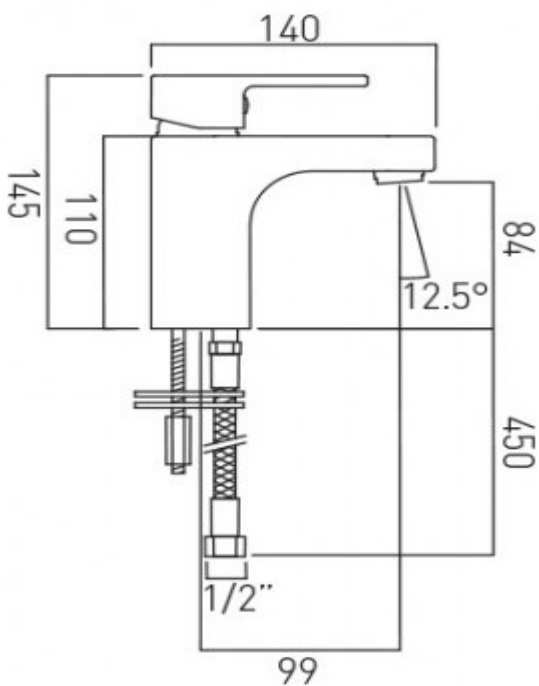


where inspiration flows  
taps | showering | accessories

technical sheet  
product code: LIF-100/SB-C/P



technical drawing:



description: mono basin mixer  
single lever  
deck mounted  
smooth bodied  
without universal basin waste  
with water flow aerator  
ceramic cartridge CAR-K35B  
2 x 1/2" x 350mm flexipipe connections  
deck mount drill hole diameter 32mm

finishes: chrome

 recommended flow regulator product code: FR-100/5-PLA

guarantee: 12 year guarantee

minimum operating pressure: 0.2 bar LP

flow rate at 3.0 bar flow pressure: 16 l/min

certificates and awards:



cert no. 1507020