

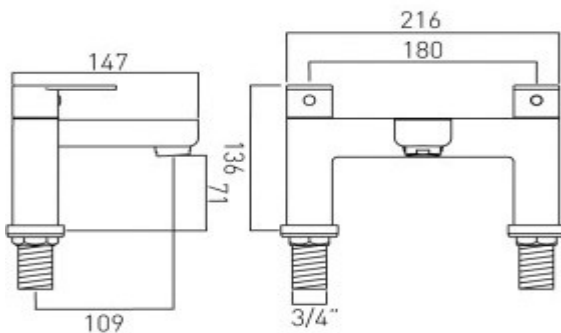


where inspiration flows  
taps | showering | accessories

technical sheet  
product code: PHA-137-C/P



technical drawing:



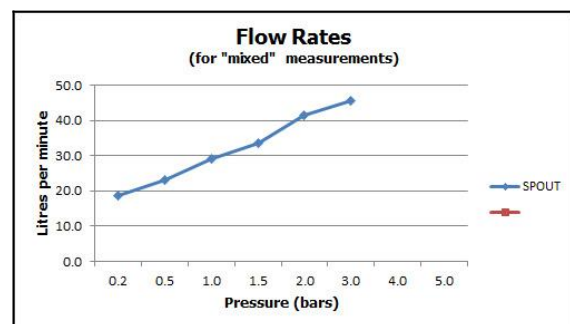
description: 2 hole bath filler  
deck mounted  
cold ceramic cartridge ION-VALVE/CD/CL-3/4  
hot ceramic cartridge ION-VALVE/CD/HT-3/4  
2 x 3/4" fitted tails  
deck mount drill hole diameter 28-30mm

finishes: chrome

guarantee: 12 year guarantee

minimum operating pressure: 0.2 bar LP

flow rate at 3.0 bar flow pressure: 46 l/min



'mixed measurements' refers to equal hot and cold water supply flow rate for unregulated flow unless flow regulator fitted as standard

certificates and awards:



cert no. 1603010