

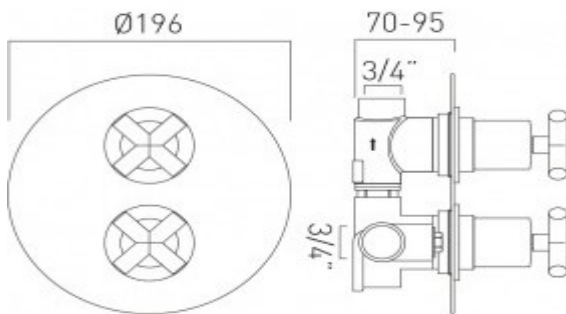


where inspiration flows
taps | showering | accessories

technical sheet
product code: ELE-148D-C/P



technical drawing:



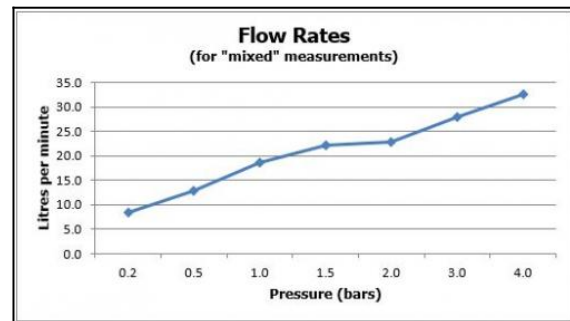
description: DX Elements concealed 1 outlet, 2 handle thermostatic shower valve wall mounted with circular backplate thermostatic cartridge V-001C-PLA flow cartridge C-301-RTC 2 x 3/4" female inlets 1 x 3/4" female outlet includes 3/4" - 1/2" adaptors inc. bleed valve for system flush on installation min-max wall mount 70-95mm optimum installation depth 82mm minimum operating pressure 0.2 bar LP (shower) minimum operating pressure 1.0 bar MP (bath)

finishes: chrome

guarantee: 12 year guarantee

minimum operating pressure: 0.2 bar LP shower 1.0 bar MP bath

flow rate at 3.0 bar flow pressure: 30 l/min



'mixed measurements' refers to equal hot and cold water supply flow rate for unregulated flow unless flow regulator fitted as standard