

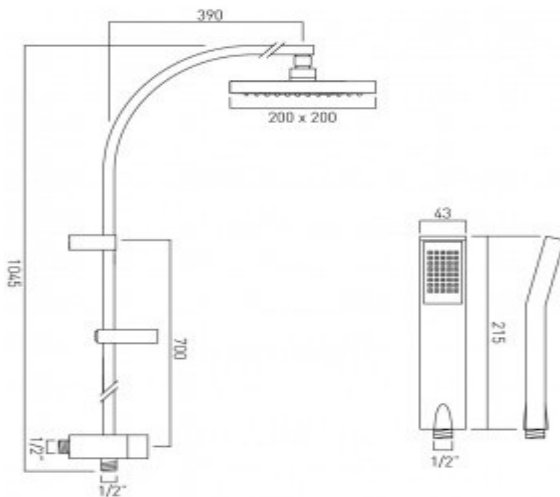


where inspiration flows
taps | showering | accessories

technical sheet
product code: WG-RRK/DIV/SQ-148-CP



technical drawing:



description: rigid riser kit
with diverter
with integral outlet
for use with concealed valves
1/2" threaded inlet

finishes: chrome

 recommended flow regulator product code: FR-SHOWER/9-C/P

guarantee: 12 year guarantee

minimum operating pressure: 1.0 bar MP