

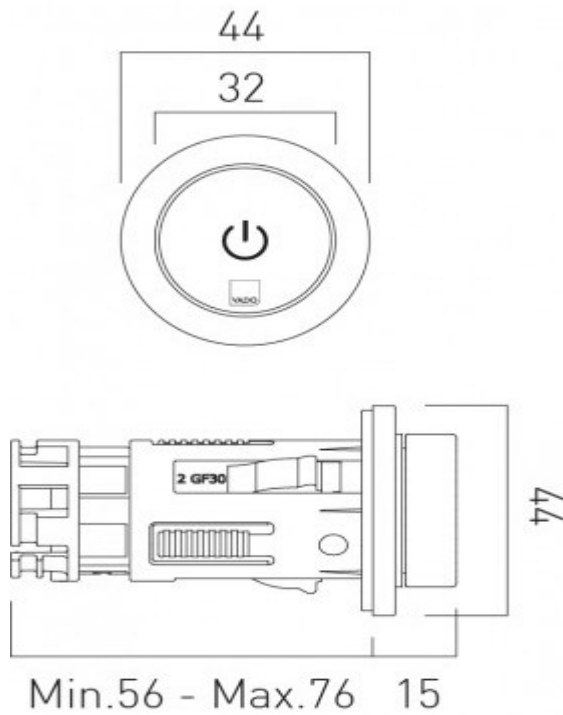


where inspiration flows
taps | showering | accessories

technical sheet
product code: DIA-REMOTE



technical drawing:



description: Sensori SmartDial
start/stop fixed remote (Situated max. 10m from
control unit)
wall mounted

finishes: chrome

guarantee: 5 year guarantee

minimum operating pressure: 1.0 bar MP