
SPECIFICATION SHEET

COLLECTION:CERES

PRODUCT CODE:CER-MFSRK-DB-C/P



DESCRIPTION:

slide rail shower kit
with 3 function handset
self-cleaning
546mm slide rail
680mm overall slide rail
with 150cm shower hose
and hose retainer
minimum operating pressure 10 bar MP

FINISH:

Chrome

FLOW REGULATOR:

recommended flow regulator product code: FR-SHOWER/9-C/P

MINIMUM OPERATING PRESSURE:

1.0 bar MP



tel: 01934 744466
email: sales@vado.com
www.vado.com

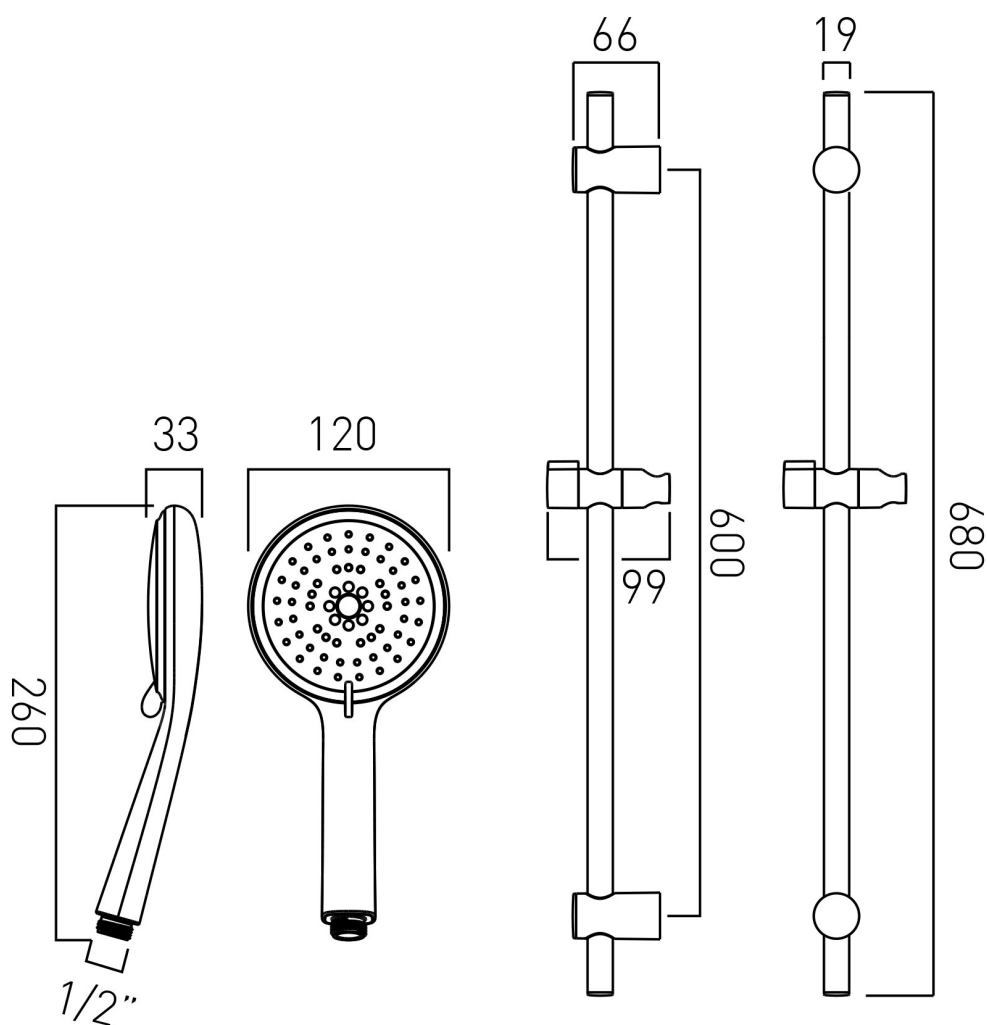
where inspiration flows
taps | showering | accessories



TECHNICAL DRAWING

COLLECTION: CERES SHOWERS

PRODUCT CODE: CER-MFSRK-DB-C/P



tel: 01934 744466

email: sales@vado.com

www.vado.com

where inspiration flows

taps | showering | accessories

VADO