

# SPECIFICATION SHEET

**COLLECTION:** SYNERGIE

**PRODUCT CODE:** SYN-232NS-CP



## DESCRIPTION:

3 hole bath shower mixer

single lever

deck mounted

without spout

with shower kit

for use with bath filler waste and overflow

diverter cartridge F-803-33/2X

ceramic cartridge CAR-KN40

1 x 3/4" x 3/4" 600mm fl exipipe connectors

1 x 2m shower hose

2 x 400 1/2" female fl exipipe connectors to valve

valve deck mounted drill hole 46mm

diverter deck mounted drill hole 44mm

handset deckmounted drill hole 32mm

minimum operating pressure 3.0 bar HP

## FINISH:

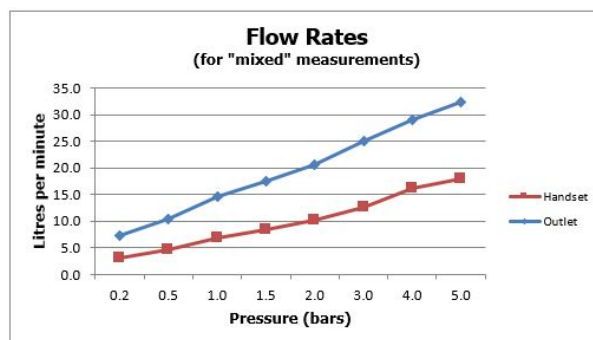
Chrome

## FLOW REGULATOR:

FR-FLEXI/8-PLA

## MINIMUM OPERATING PRESSURE:

3.0 bar HP



tel: 01934 744466

email: sales@vado.com

www.vado.com

**where inspiration flows**

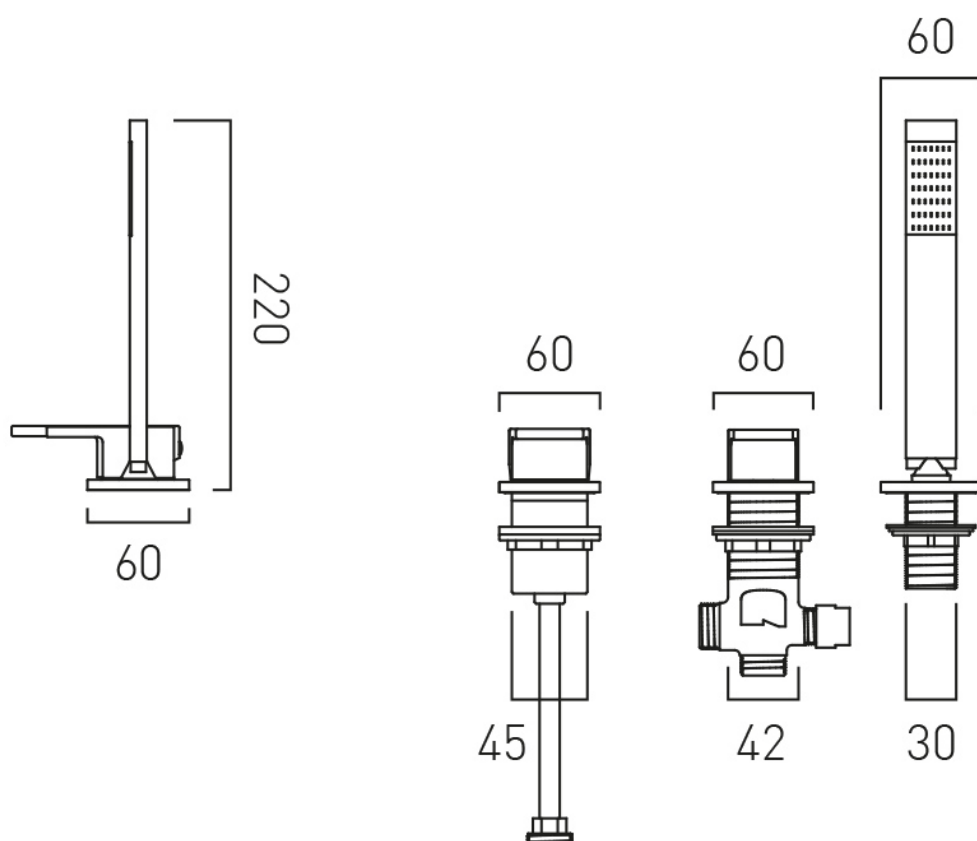
taps | showering | accessories



# TECHNICAL DRAWING

**COLLECTION:** SYNERGIE

**PRODUCT CODE:** SYN-232NS-CP



tel: 01934 744466  
email: sales@vado.com  
www.vado.com

**where inspiration flows**  
taps | showering | accessories

