

# SPECIFICATION SHEET

**COLLECTION:** LIFE

**PRODUCT CODE:** LIF-123T+K-CP



**DESCRIPTION:**

exposed thermostatic bath shower mixer  
wall mounted with shower kit  
with water flow aerator  
thermostatic cartridge V-001C-PLA  
1/2" x 3/4" x 50mm eccentrics  
minimum operating pressure 1.5 bar MP

**FINISH:**

Chrome

**FLOW REGULATOR:**

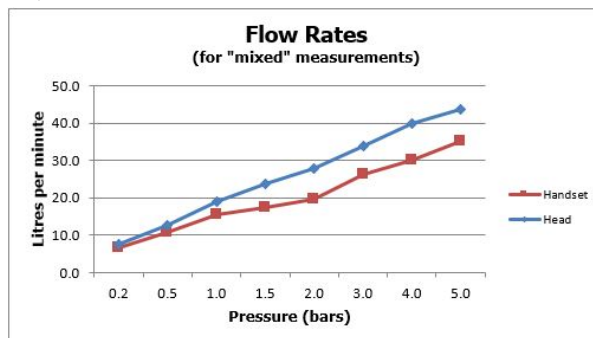
FR-SHOWER/9-C/P

**MINIMUM OPERATING PRESSURE:**

1.0 bar MP

**FLOW RATE AT 3.0 BAR FLOW PRESSURE:**

34 l/m



tel: 01934 744466  
email: sales@vado.com  
www.vado.com

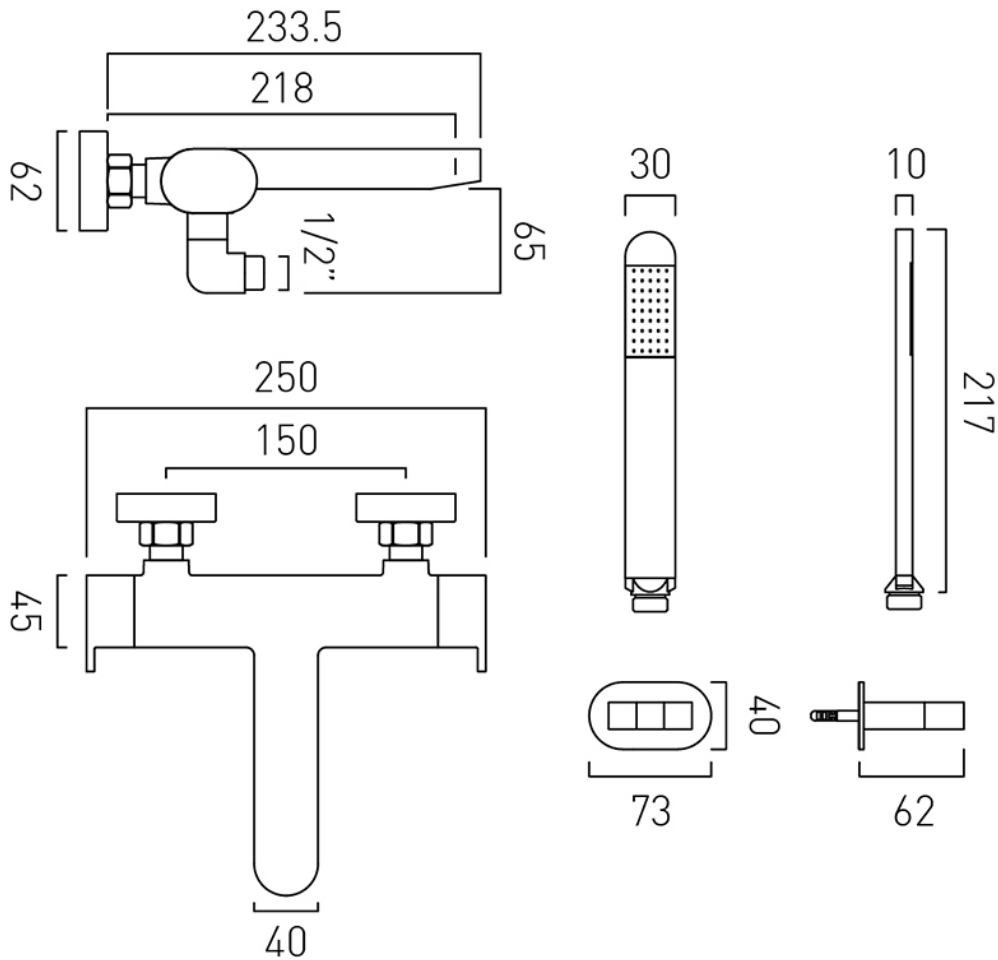
**where inspiration flows**  
taps | showering | accessories



# TECHNICAL DRAWING

**COLLECTION:** LIFE

**PRODUCT CODE:** LIF-123T+K-CP



tel: 01934 744466  
email: sales@vado.com  
www.vado.com

**where inspiration flows**  
taps | showering | accessories

