

# SPECIFICATION SHEET

**COLLECTION:** LIFE

**PRODUCT CODE:** LIF-131T-CP



**DESCRIPTION:**

exposed thermostatic bath shower mixer  
deck mounted  
with water flow straightener  
3/4" x 50mm thread connection on legs  
deck mounted drill hole diameter 28mm  
minimum operating pressure 1.0 bar MP

**FINISH:**

Chrome

**FLOW REGULATOR:**

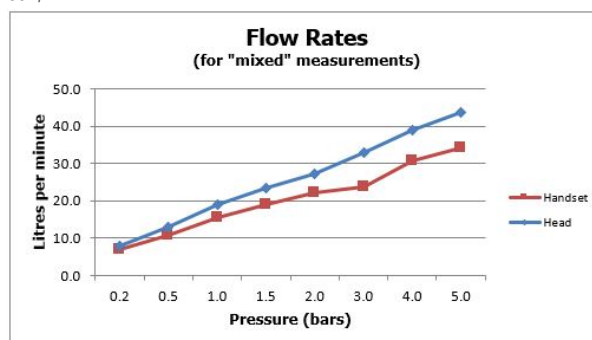
FR-SHOWER/9-C/P

**MINIMUM OPERATING PRESSURE:**

1.0 bar MP

**FLOW RATE AT 3.0 BAR FLOW PRESSURE:**

33 l/m



tel: 01934 744466  
email: sales@vado.com  
www.vado.com

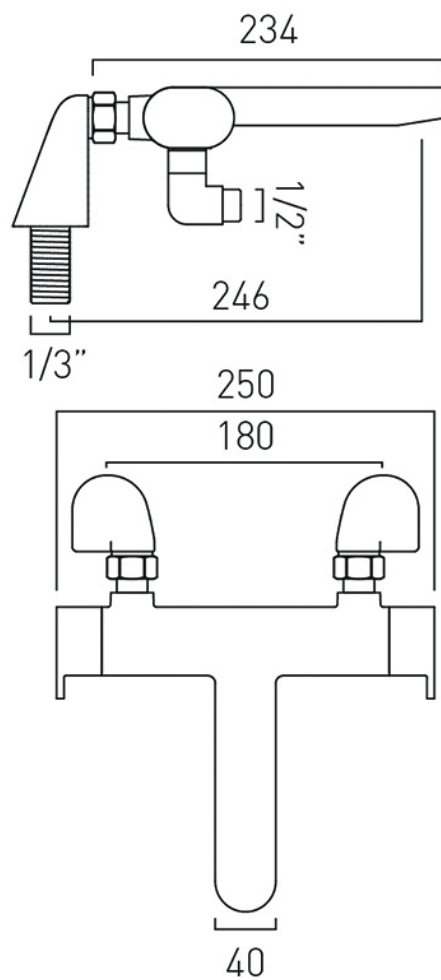
**where inspiration flows**  
taps | showering | accessories



# TECHNICAL DRAWING

**COLLECTION:** LIFE

**PRODUCT CODE:** LIF-131T-CP



tel: 01934 744466  
email: [sales@vado.com](mailto:sales@vado.com)  
[www.vado.com](http://www.vado.com)

**where inspiration flows**  
taps | showering | accessories

