

SPECIFICATION SHEET

COLLECTION: LIFE

PRODUCT CODE: LIF-131T+K-CP



DESCRIPTION:

exposed thermostatic bath shower mixer
with shower kit
deck mounted
with water flow straightener
3/4" x 50mm thread connection on legs
deck mounted drill hole diameter 28mm
minimum operating pressure 1.0 bar MP

FINISH:

Chrome

FLOW REGULATOR:

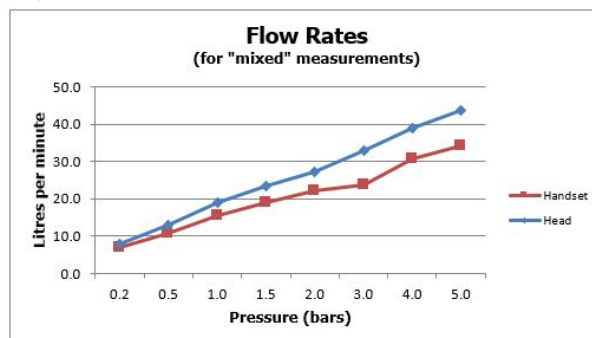
FR-SHOWER/9-C/P

MINIMUM OPERATING PRESSURE:

1.0 bar MP

FLOW RATE AT 3.0 BAR FLOW PRESSURE:

33 l/m



tel: 01934 744466
email: sales@vado.com
www.vado.com

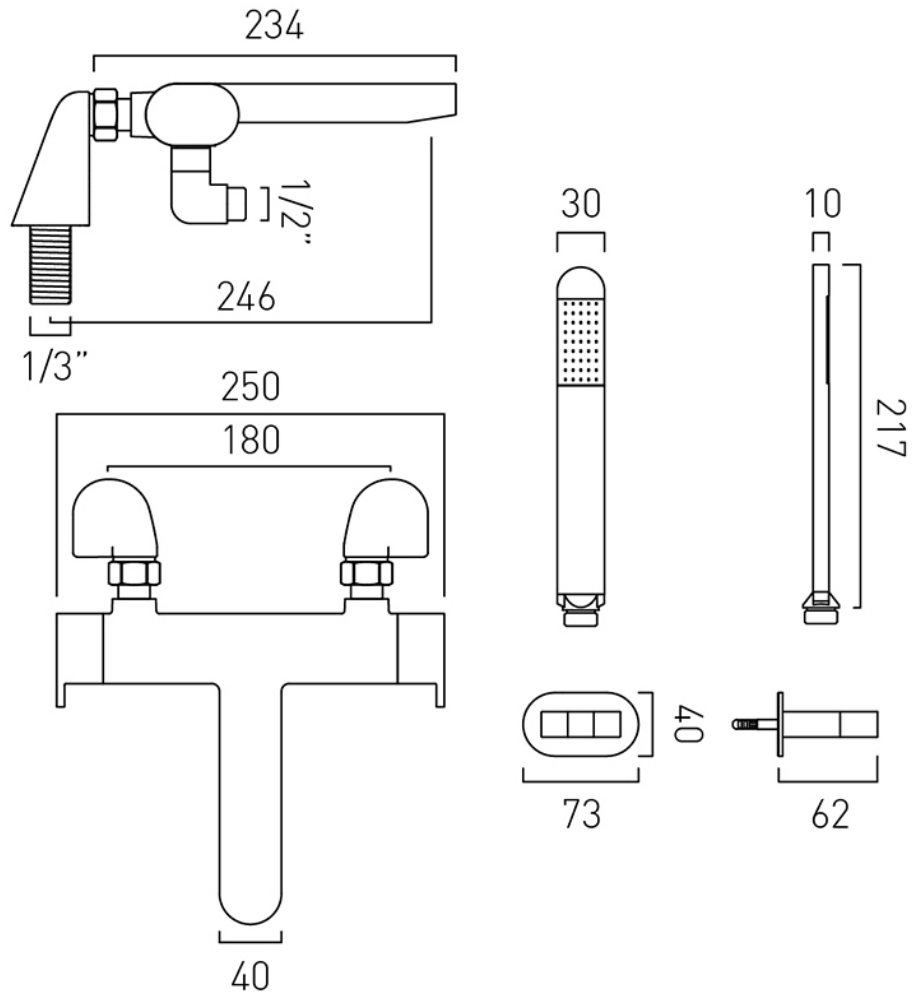
where inspiration flows
taps | showering | accessories



TECHNICAL DRAWING

COLLECTION: LIFE

PRODUCT CODE: LIF-131T+K-CP



tel: 01934 744466
email: sales@vado.com
www.vado.com

where inspiration flows
taps | showering | accessories

