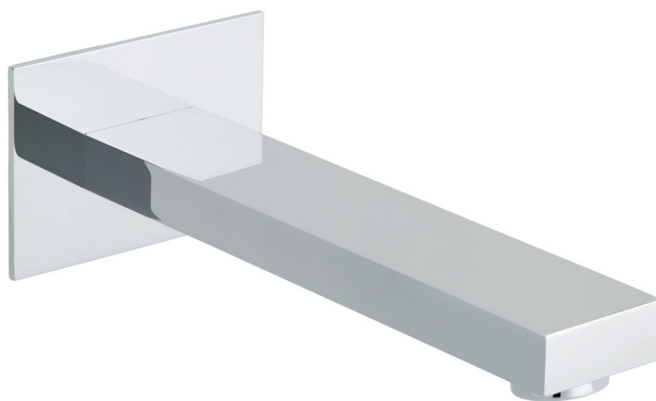


SPECIFICATION SHEET

COLLECTION: NOTION

PRODUCT CODE: NOT-140A-CP



DESCRIPTION:

bath spout
wall mounted
1/2" inlet
minimum operating pressure 0.2 bar LP

FINISH:

Chrome

FLOW REGULATOR:

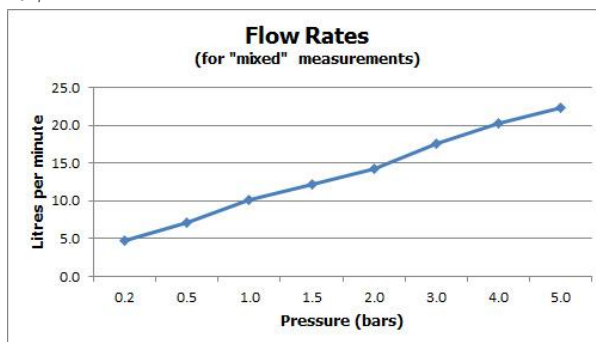
N

MINIMUM OPERATING PRESSURE:

0.2 bar LP

FLOW RATE AT 3.0 BAR FLOW PRESSURE:

18 l/min



tel: 01934 744466
email: sales@vado.com
www.vado.com

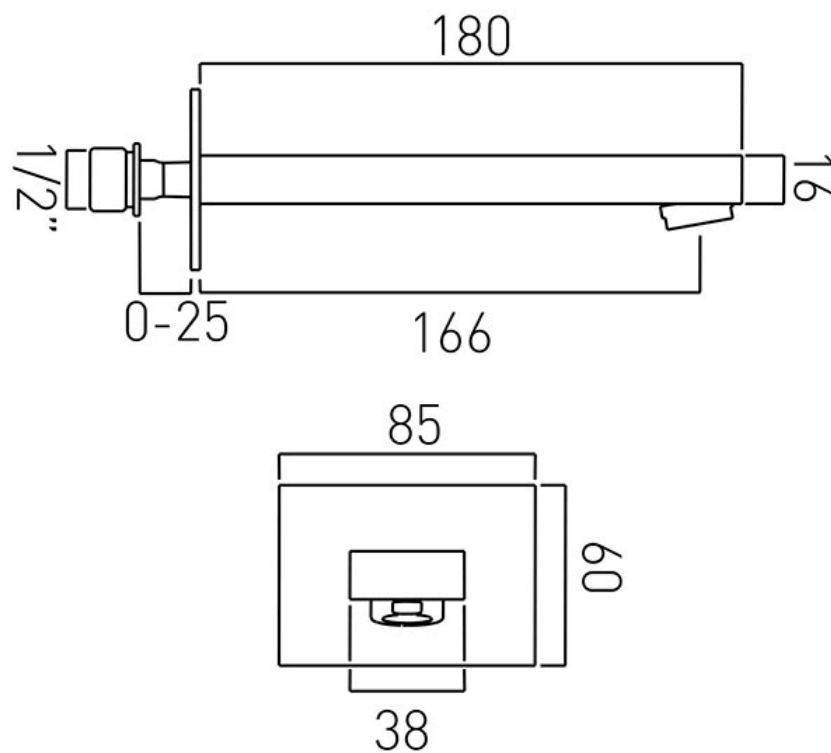
where inspiration flows
taps | showering | accessories



TECHNICAL DRAWING

COLLECTION: NOTION

PRODUCT CODE: NOT-140A-CP



tel: 01934 744466
email: sales@vado.com
www.vado.com

where inspiration flows
taps | showering | accessories

