

SPECIFICATION SHEET

COLLECTION: LIFE

PRODUCT CODE: DX-172251-LIF-CP



DESCRIPTION:

Life

- 2 outlet thermostatic shower valve
- aquablade 200mm x 300mm oval head with shower arm

• life single function mini shower kit with integrated outlet

thermostatic cartridge V-001C-PLA

diverter cartridge FL-804-33X/3X

minimum operating pressure 1.0 bar MP

kit comprises:

LIF-148D/2-C/P

AQB-OV/30/SA-C/P

LIF-SFMKWO-C/P

shower valve includes 3/4" - 1/2" adaptors

min-max wall mount 70-95mm

optimum installation depth 82mm

minimum operating pressure 1.5 bar MP

FINISH:

Chrome

FLOW REGULATOR:

FR-SHOWER/9-C/P

MINIMUM OPERATING PRESSURE:

1.0 bar MP



tel: 01934 744466

email: sales@vado.com

www.vado.com

where inspiration flows

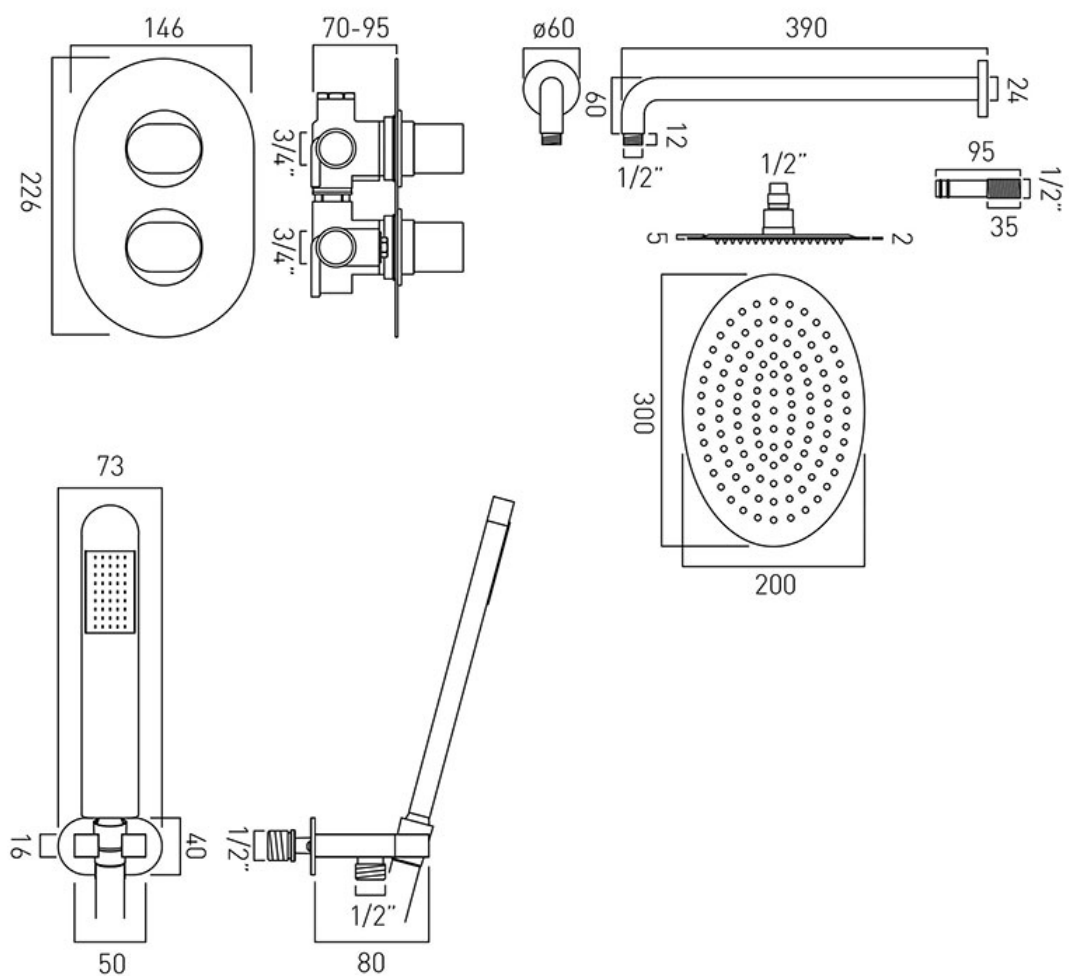
taps | showering | accessories

VADO

TECHNICAL DRAWING

COLLECTION: LIFE

PRODUCT CODE: DX-172251-LIF-CP



tel: 01934 744466
email: sales@vado.com
www.vado.com

where inspiration flows
taps | showering | accessories

